

# PSM2-40/230 TNS

77707906



**Surge Protection Device, Type 2, 2 poles, Single Phase, 40kA(8/20),230V TNS, earthing system**

Scan this QR code and see the full range



[Link to the product page](#)

Technical Data	Value	Units
<b>Commercial data</b>		
Code	77707906	
Part Number	PSM2-40/230 TNS	
Status	Available	
EAN	8435297830245	
Tariff code (HS)	8536.30.90	
<b>Dimensions</b>		
Product height	90	[mm]
Product width	36	[mm]
Product length	70	[mm]
Product weight	221	[gr]
<b>General data</b>		
Internal configuration	2P	
No. poles	2	
No. DIN rail modules	2	
Installation	(L-N-PE); (L1-L2-PE)	
Format	Pluggable	
Network configuration	TT, TNS	
Certifications	CE; RCM; UL 1449	
Designation according to EN 61643-11	Type 2	
Designation according to IEC 61643-11	Class II	
Insulating material & flammability class	PA66 CT1; V-0	
Enclosure	IP 20	
Temperature range	-40 °C ... +85 °C	
<b>Technical features</b>		

Supply voltage		<b>230 / 400 [V]</b>	
Nominal voltage AC 50-60 Hz (L-N)	Un (L-N)	<b>230</b>	[V]
Nominal voltage AC 50-60 Hz (L-L)	Un (L-L)	<b>400</b>	[V]
Maximum continuous operating voltage (L-PE)	Uc (L-PE)	<b>275</b>	[V]
Maximum discharge current (8/20) (L-PE)	I <sub>max</sub> (L-PE)	<b>40</b>	[kA]
Nominal discharge current (8/20) (L-PE)	I <sub>n</sub> (L-PE)	<b>20</b>	[kA]
Nominal discharge current (8/20)	I <sub>n</sub>	<b>20</b>	[kA]
Voltage protection level (L-PE) at I <sub>n</sub>	Up (L-PE)	<b>1,3</b>	[kV]
Maximum back-up fuse		<b>125</b>	A [gG]
Short circuit withstand	I <sub>sc</sub>	<b>25</b>	[kA]
Response time (L-PE)	t <sub>A</sub> (L-PE)	<b>25</b>	[ns]
Remote indication		<b>No</b>	
Visual end of life indication		<b>Yes</b>	
Dynamic thermal disconnection (L-PE)		<b>Yes</b>	

### UL Technical features

File UL		<b>E360120</b>	
SPD UL Type		<b>2CA</b>	
Power distribution system		<b>1</b>	
Maximum continuous operating voltage (L-N)	MCOV (L-N)	<b>275</b>	[V]
Maximum continuous operating voltage (L-G)	MCOV (L-G)	<b>275</b>	[V]
Maximum continuous operating voltage (N-G)	MCOV (N-G)	<b>275</b>	[V]
Nominal discharge current (UL)	I <sub>n</sub>	<b>20</b>	[kA]
Voltage protection level (L-N) at I <sub>n</sub>	VPR (L-N)	<b>1800</b>	[V]
Voltage protection level (L-G) at I <sub>n</sub>	VPR (L-G)	<b>1500</b>	[V]
Voltage protection level (N-G) at I <sub>n</sub>	VPR (N-G)	<b>900</b>	[V]
Short circuit current rating	SCCR	<b>85</b>	[kA]

Certifications	Value	Units
Certifications	CE; RCM; UL 1449	

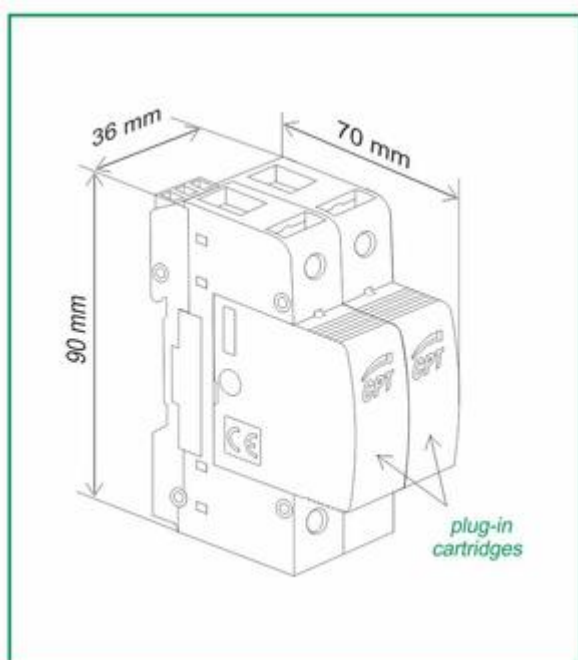
## Accessories



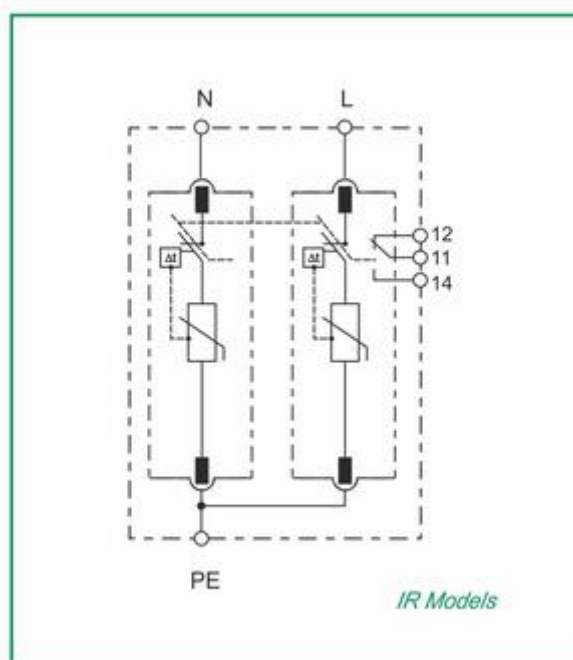
Código	77707654
Referencia	PSM-40/230
Description	<b>Replaceable module, Type 2, Ph,40A(8/20), 230V</b>

## Wiring diagrams

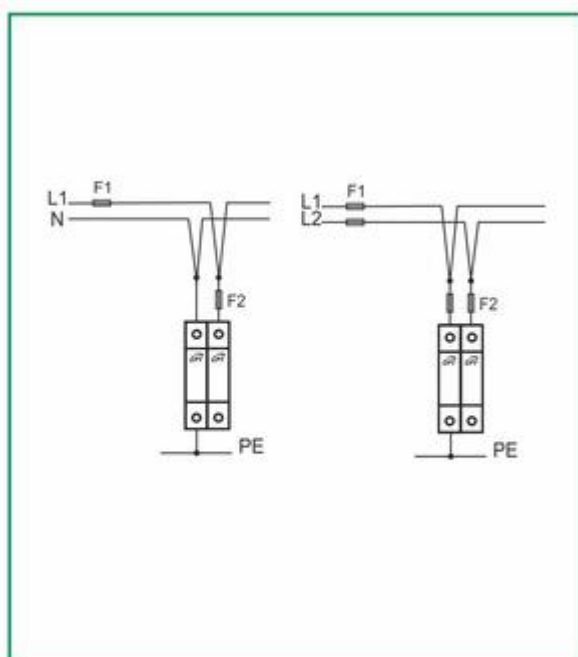
Dimensions



Internal configuration



Wiring diagram



Other images

PSM-POLARIZADOR



PSM-INDICADOR-REMOTA



PSM-CONEXION-BICONNECT



PSM-INDICADOR-ESTADO



PSM-SUSTITUCION-CARTUCHO



## Downloads

Install sheet	<a href="#">CPT-FAP-PROTECCION-CONTRA-SOBRETENSIONES-PSM2-40.pdf</a>
Wiring diagram (CAD)	<a href="#">CPT-CAD-PROTECCION-CONTRA-SOBRETENSIONES-PSM2-40-230-TNS-77707906.dwg</a>
Wiring diagram (PDF)	<a href="#">CPT-CIP-PROTECCION-CONTRA-SOBRETENSIONES-PSM2-40-230-TNS-77707906.pdf</a>

## Address



### Barcelona

**Cirprotec, S.L.U.**

C/ Lepanto, 49

08223 - Terrassa (Barcelona)

Tel. +34 937 331 684

Fax. +34 93 733 27 64

[www.cirprotec.com](http://www.cirprotec.com)

Copyright © Cirprotec, S.L.

[Legal Notice](#)