

CS21 CD/230

77704111



Protector against transient overvoltages, type II+III, 230 V, 20 kA and single-phase (two-pole).

[Link to the product page](#)

Technical Data	Value	Units
Commercial data		
Code	77704111	
Part Number	CS21 CD/230	
Status	Discontinued	
EAN	8435297826903	
Tariff code (HS)	8536.30.90	
Dimensions		
Product height	85	[mm]
Product width	18	[mm]
Product length	65	[mm]
Product weight	66	[gr]
General data		
Internal configuration	1P+N	
No. poles	2	
No. DIN rail modules	1	
Installation	(L-N)	
Format	Monobloc	
Certifications	CE	
Designation according to EN 61643-11	Type 2+3	
Designation according to IEC 61643-11	Class II+III	
Insulating material & flammability class	PC+GF; V-0	
Enclosure	IP 20	
Temperature range	-40 °C ... +80 °C	
Technical features		
Supply voltage	230 / 400 [V]	

Nominal voltage AC 50-60 Hz (L-N)	Un (L-N)	230	[V]
Maximum continuous operating voltage (L-N)	Uc (L-N)	275	[V]
Maximum discharge current (8/20) (L-N)	I _{max} (L-N)	20	[kA]
Nominal discharge current (8/20) (L-N)	I _n (L-N)	10	[kA]
Nominal discharge current (8/20)	I _n	10	[kA]
Voltage protection level (L-N) at I _n	U _p (L-N)	1,4	[kV]
Voltage protection level (N-PE) at I _n	U _p (N-PE)	1,4	[kV]
Maximum back-up fuse		63	A [gG]
Combined discharge voltage (1,2/50)	U _{oc}	10	[kV]
Short circuit withstand	I _{sc}	10	[kA]
Response time (L-N)	t _A (L-N)	25	[ns]
Response time (N-PE)	t _A (N-PE)	100	[ns]
Connection		Parallel	
Remote indication		No	
Visual end of life indication		Yes	
Dynamic thermal disconnection (L-N)		Yes	

Certifications

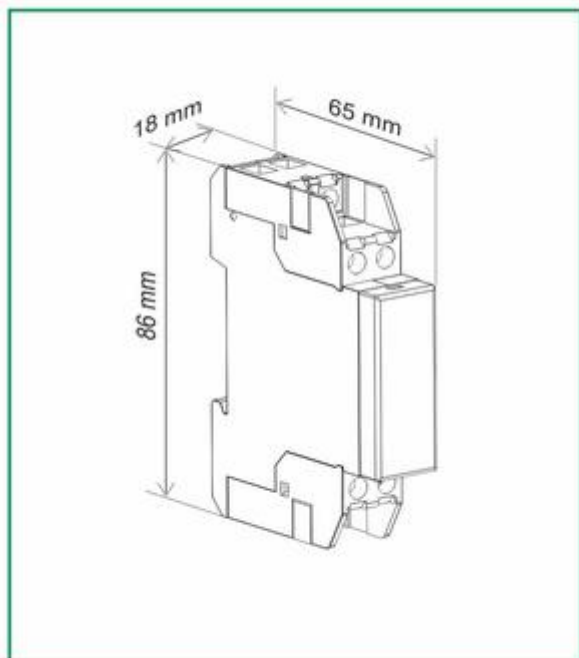
Value | Units

Certifications

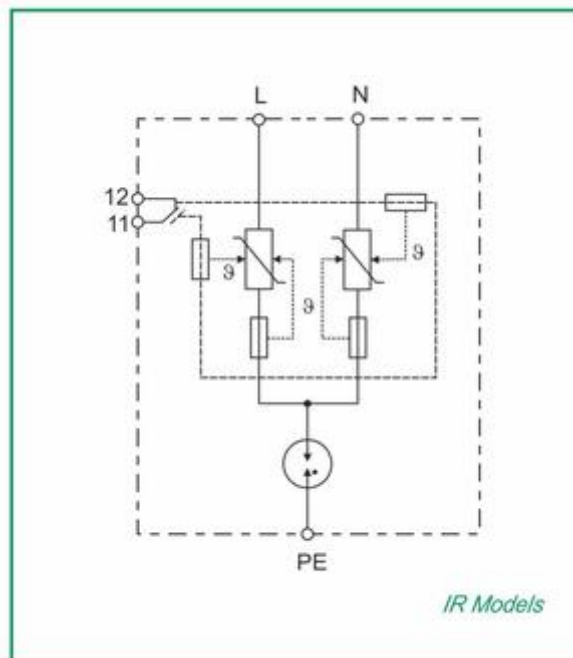
CE

Wiring diagrams

Dimensions



Internal configuration



Downloads

Data sheet

[CPT-FT-PROTECCION-CONTRA-SOBRETENSIONES-CS-CD-20.pdf](#)

Address



Barcelona

Cirprotec, S.L.U.

C/ Lepanto, 49

08223 - Terrassa (Barcelona)

Tel. +34 937 331 684

Fax. +34 93 733 27 64

www.cirprotec.com

Copyright © Cirprotec, S.L.

[Legal Notice](#)