

# CT 10 UHF

77801690



Scan this QR code and see the full range



[Link to the product page](#)

**SPD Surge protection device, Coaxial signals and CCTV, UHF (Male), 20 kA (8/20), 230 V.**

## Technical Data

Value | Units

### Commercial data

Code	77801690
Part Number	CT 10 UHF
Status	Available
EAN	8435297809777
Tariff code (HS)	8536.30.90
Packaging height	30 [mm]
Packaging width	60 [mm]
Packaging length	75 [mm]
Packaging unit	1

### Technical features

Format	Coaxial	
No. protected wires	1	
For protection of networks	Coaxial signals and CCTV	
Product standards	IEC 61643-21	
Certifications	CE	
Maximum continuous operating voltage (L1/L2-PE)	Uc (L1/L2-PE)	230 [V]
Maximum discharge current (8/20) (L1/L2-PE)	I <sub>max</sub> (L1/L2-PE)	20 [kA]
Nominal discharge current (8/20) (L1/L2-PE)	I <sub>n</sub> (L1/L2-PE)	10 [kA]
Voltage protection level (L1-L2-PE) at I <sub>n</sub>	U <sub>p</sub> (L1/L2-PE)	600 [V]
Bandwidth	fg	3000 [MHz]

Maximum peak power	150	[W]
Impedance	50	[Ω]
Insertion loss	< 1	[dB]
Input connector	UHF (Male)	
Output connector	UHF (Female)	
Housing color	Silver	
Temperature range	-20 °C ... +85 °C	
Product height	69,5	[mm]
Product width	24	[mm]

**More information**

More about the product range on page...

42

... of this catalogue

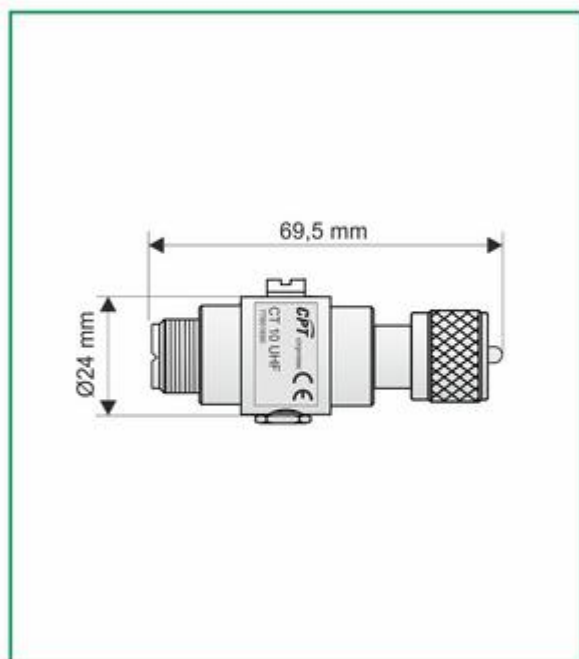
CPT-Cirprotec-V-OVERVOLTAGE-AND-SURGE-PROTECTION [ 4.05  
MB ]

Specification data

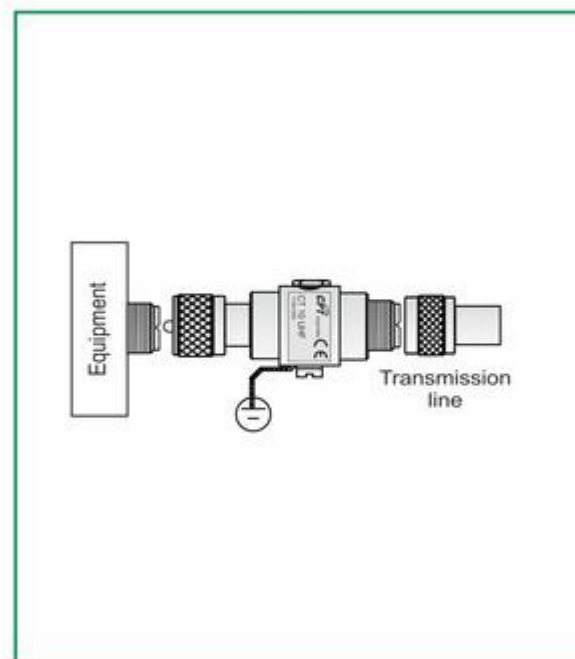
Unspecified

Wiring diagrams

Dimensions



Wiring diagram



Address

Barcelona

**Cirprotec, S.L.**

C/ Lepanto, 49

08223 - Terrassa (Barcelona)

Tel. +34 937 331 684

Fax. +34 93 733 27 64

[www.cirprotec.com](http://www.cirprotec.com)

Copyright © Cirprotec, S.L.

[Legal Notice](#)