

# CT 10 TV

77801665



Scan this QR code and see the full range



[Link to the product page](#)

**SPD Surge protection device, Coaxial signals and CCTV, CEI (Male), 20 kA (8/20), 230 V.**

Technical Data	Value	Units
<b>Commercial data</b>		
Code	77801665	
Part Number	CT 10 TV	
Status	Available	
EAN	8435297809739	
Tariff code (HS)	8536.30.90	
Packaging height	30	[mm]
Packaging width	60	[mm]
Packaging length	75	[mm]
Packaging weight	110	[gr]
Packaging unit	1	
<b>Technical features</b>		
Format	Coaxial	
No. protected wires	1	
For protection of networks	Coaxial signals and CCTV	
Product standards	IEC 61643-21	
Certifications	CE	
Maximum continuous operating voltage (L1/L2-PE)	Uc (L1/L2-PE)	230 [V]
Maximum discharge current (8/20) (L1/L2-PE)	I <sub>max</sub> (L1/L2-PE)	20 [kA]
Nominal discharge current (8/20) (L1/L2-PE)	I <sub>n</sub> (L1/L2-PE)	10 [kA]
Voltage protection level (L1-L2-PE) at I <sub>n</sub>	Up (L1/L2-PE)	600 [V]

Bandwidth	fg	<b>1000</b>	[MHz]
Maximum peak power		<b>100</b>	[W]
Impedance		<b>75</b>	[Ω]
Insertion loss		<b>&lt; 0,5</b>	[dB]
Input connector		<b>CEI (Male)</b>	
Output connector		<b>CEI (Female)</b>	
Housing color		<b>Silver</b>	
Temperature range		<b>-20 °C ... +85 °C</b>	
Product height		<b>60</b>	[mm]
Product width		<b>24</b>	[mm]
Product weight		<b>102</b>	[gr]

**More information**

More about the product range on page...

**42**

... of this catalogue

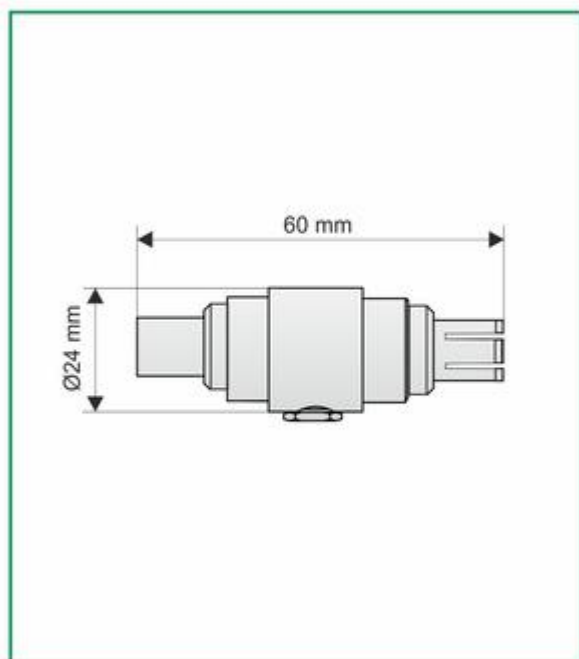
CPT-Cirprotec-V-OVERVOLTAGE-AND-SURGE-PROTECTION [ 4.05 MB ]

Specification data

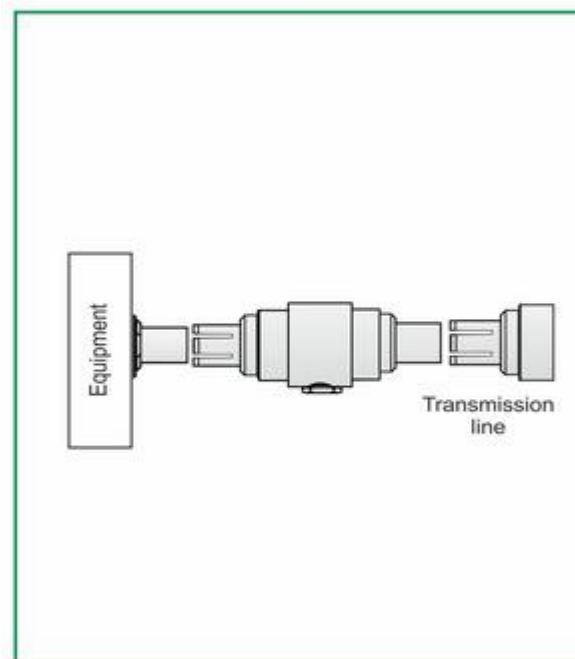
Unspecified

Wiring diagrams

Dimensions



Wiring diagram



Address



**Barcelona**

**Cirprotec, S.L.**

C/ Lepanto, 49

08223 - Terrassa (Barcelona)

Tel. +34 937 331 684

Fax. +34 93 733 27 64

[www.cirprotec.com](http://www.cirprotec.com)

Copyright © Cirprotec, S.L.

Legal Notice