

CT 10 BNC

77801655



Scan this QR code and see the full range



[Link to the product page](#)

SPD Surge protection device, Coaxial signals and CCTV, BNC (Male), 20 kA (8/20), 230 V.

| Technical Data | Value | Units |
|---|-----------------------------|---------|
| Commercial data | | |
| Code | 77801655 | |
| Part Number | CT 10 BNC | |
| Status | Available | |
| EAN | 8435297809715 | |
| Tariff code (HS) | 8536.30.90 | |
| Packaging height | 30 | [mm] |
| Packaging width | 60 | [mm] |
| Packaging length | 75 | [mm] |
| Packaging weight | 113 | [gr] |
| Packaging unit | 1 | |
| Technical features | | |
| Format | Coaxial | |
| No. protected wires | 1 | |
| For protection of networks | Coaxial signals and CCTV | |
| Product standards | IEC 61643-21 | |
| Certifications | CE | |
| Maximum continuous operating voltage (L1/L2-PE) | Uc (L1/L2-PE) | 230 [V] |
| Maximum discharge current (8/20) (L1/L2-PE) | I _{max} (L1/L2-PE) | 20 [kA] |
| Nominal discharge current (8/20) (L1/L2-PE) | I _n (L1/L2-PE) | 10 [kA] |
| Voltage protection level (L1-L2-PE) at I _n | Up (L1/L2-PE) | 600 [V] |

| | | | |
|---------------------|----|--------------------------|-------|
| Bandwidth | fg | 3000 | [MHz] |
| Maximum peak power | | 100 | [W] |
| Impedance | | 50 | [Ω] |
| Insertion loss | | < 1 | [dB] |
| Input connector | | BNC (Male) | |
| Output connector | | BNC (Female) | |
| Response time (L-N) | tA | 100 | [ns] |
| Housing color | | Silver | |
| Temperature range | | -20 °C ... +85 °C | |
| Product height | | 65 | [mm] |
| Product width | | 24 | [mm] |
| Product weight | | 105 | [gr] |

More information

More about the product range on page...

42

... of this catalogue

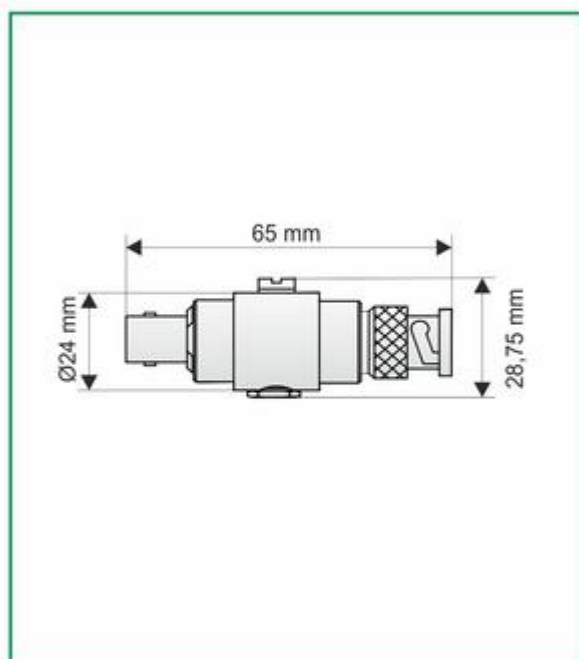
CPT-Cirprotec-V-OVERVOLTAGE-AND-SURGE-PROTECTION [4.05
MB]

Specification data

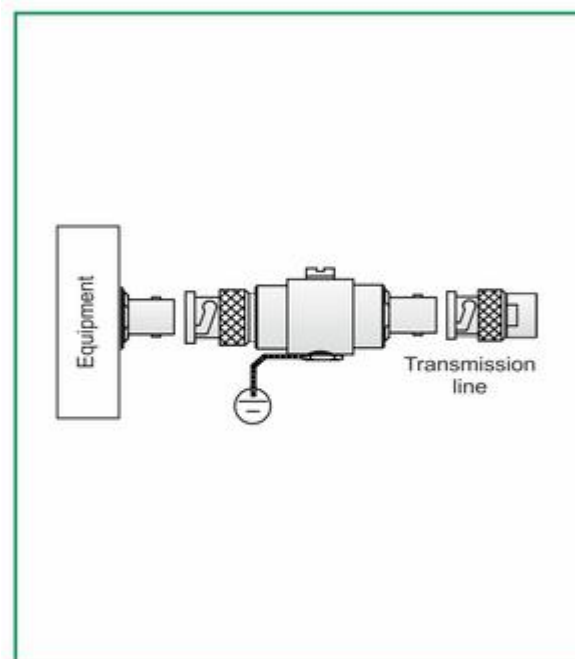
Unspecified

Wiring diagrams

Dimensions



Wiring diagram



Address



Barcelona

Cirprotec, S.L.

C/ Lepanto, 49

08223 - Terrassa (Barcelona)

Tel. +34 937 331 684

Fax. +34 93 733 27 64

www.cirprotec.com

Copyright © Cirprotec, S.L.

Legal Notice