

Load current AC 50-60 Hz	IL	10	[A]
Maximum continuous operating voltage (L1-L2)	Uc (L1-L2)	320	[V]
Maximum continuous operating voltage (L1/L2-PE)	Uc (L1/L2-PE)	420	[V]
Maximum discharge current (8/20) (L1-L2)	I _{max} (L1-L2)	10	[kA]
Nominal discharge current (8/20) (L1-L2)	I _n (L1-L2)	5	[kA]
Voltage protection level (L1-L2) at I _n	U _p (L1-L2)	1,5	[kV]
Voltage protection level (L1/L2-PE) at I _n	U _p (L1/L2-PE)	1,8	[kV]
Maximum back-up fuse		32	A [gL]
Combined discharge voltage (1,2/50)	U _{oc}	10	[kV]
Short circuit withstand	I _{cc}	10	[kA]
Response time (L1-L2)	t _A	25	[ns]
Luminaries insulation classification		Class I	
Connection		Series / Parallel	
Remote indication		No	
Visual end of life indication		Visual LED + disconnection	
Dynamic thermal disconnection (L1/L2-GND)		Yes	
Insulating material & flammability class		PA66 CT1; V-0	
Housing color		Grey RAL 7035	
Enclosure		IP 20	
Temperature range		-40 °C ... +80 °C	
Product height		52,5	[mm]
Product width		44,5	[mm]
Product length		16,5	[mm]
Product weight		67	[gr]

Wiring of connection circuit

Torque		0,7	[Nm]
Flexible bare wire		5	[mm]
Min. flexible cable section		1,5	[mm ²]
Max. flexible conductor section		2,5	[mm ²]

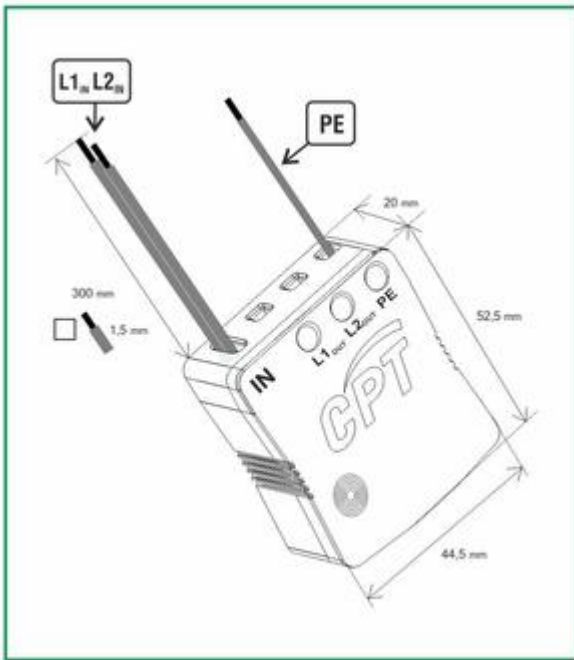
Specification data

Unspecified

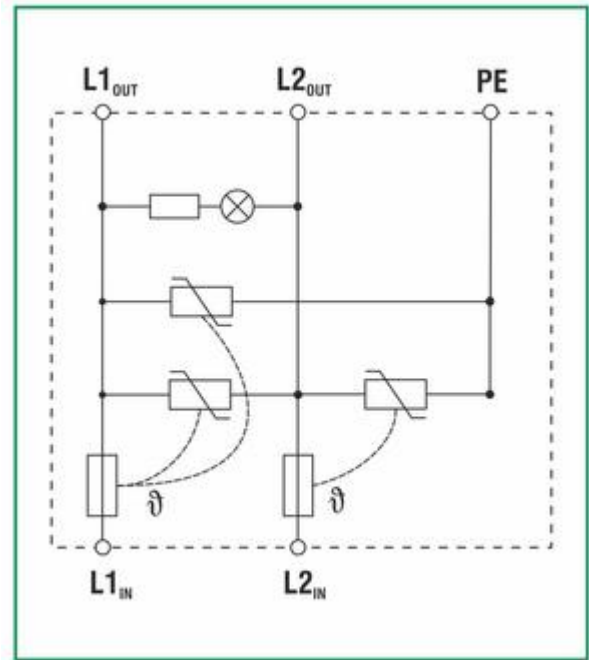
Wiring diagrams

Dimensions

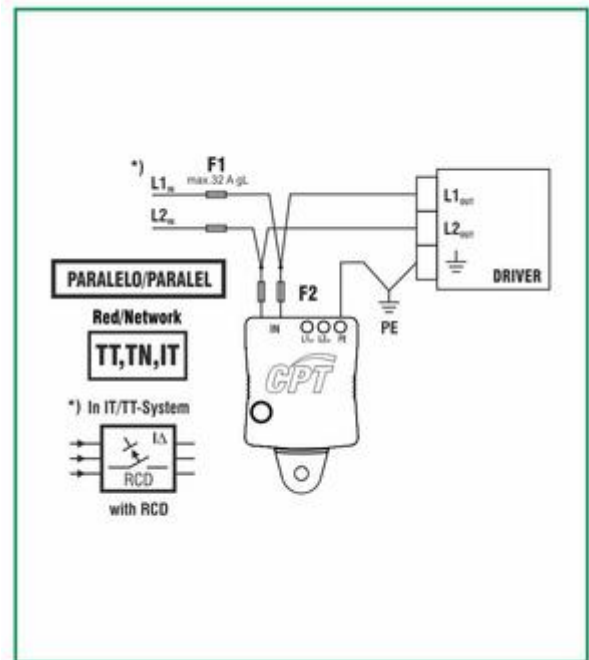
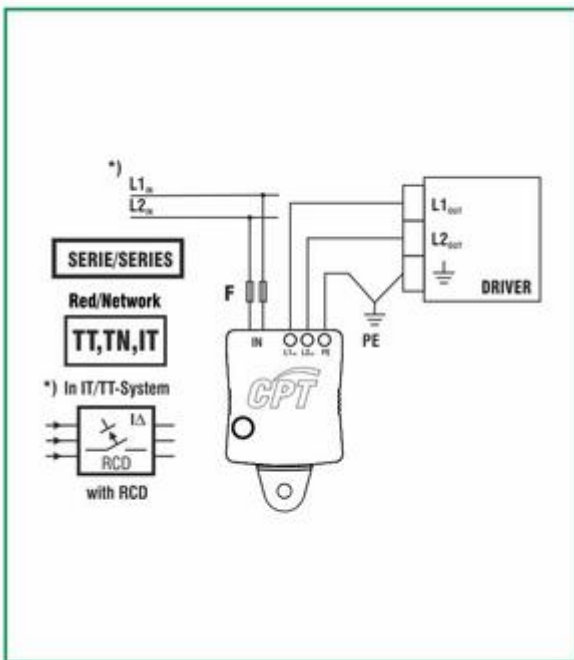
Internal configuration



Wiring diagram



Wiring diagram



Address



Barcelona

Cirprotec, S.L.
 C/ Lepanto, 49
 08223 - Terrassa (Barcelona)

Tel. +34 937 331 684
Fax. +34 93 733 27 64
www.cirprotec.com

Copyright © Cirprotec, S.L.

Legal Notice