

# CS21-15/230

77705213



Scan this QR code and see the full range



[Link to the product page](#)

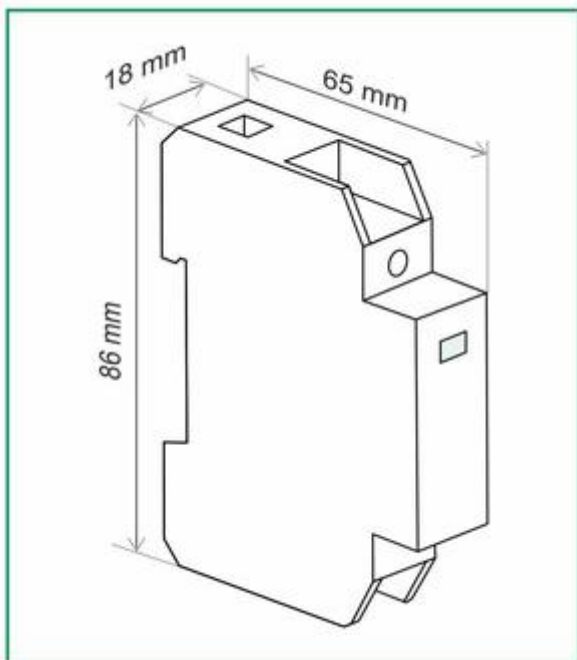
Technical Data	Value	Units
<b>Commercial data</b>		
Code	77705213	
Part Number	CS21-15/230	
Status	Available	
EAN	8435297810858	
Tariff code (HS)	8536.30.90	
<b>Dimensions</b>		
Product height	86	[mm]
Product width	18	[mm]
Product length	65	[mm]
Product weight	50	[gr]
<b>General data</b>		
Internal configuration	1P+N	
No. poles	2	
No. DIN rail modules	1	
Installation	(L-N)	
Format	Monobloc	
Network configuration	TT, TNS, TNC	
Certifications	CE; RoHs	
Designation according to EN 61643-11	Type 2	
Designation according to IEC 61643-11	Class II	
Insulating material & flammability class	PC; V-0	
Temperature range	-40 °C ... +80 °C	
<b>Technical features</b>		
Supply voltage	230 / 400 [V]	

Nominal voltage AC 50-60 Hz (L-N)	Un (L-N)	<b>230</b>	[V]
Maximum continuous operating voltage (L-N)	Uc (L-N)	<b>275</b>	[V]
Maximum continuous operating voltage (L-PE)	Uc (L-PE)	<b>255</b>	[V]
Maximum discharge current (8/20) (L-N)	I <sub>max</sub> (L-N)	<b>15</b>	[kA]
Maximum discharge current (8/20) (N-PE)	I <sub>max</sub> (N-PE)	<b>15</b>	[kA]
Nominal discharge current (8/20) (L-N)	I <sub>n</sub> (L-N)	<b>5</b>	[kA]
Nominal discharge current (8/20) (N-PE)	I <sub>n</sub> (N-PE)	<b>5</b>	[kA]
Nominal discharge current (8/20)	I <sub>n</sub>	<b>5</b>	[kA]
Voltage protection level (L-N) at I <sub>n</sub>	U <sub>p</sub> (L-N)	<b>1,2</b>	[kV]
Voltage protection level (N-PE) at I <sub>n</sub>	U <sub>p</sub> (N-PE)	<b>1,5</b>	[kV]
Maximum back-up fuse		<b>63</b>	A [gG]
Short circuit withstand	I <sub>sc</sub>	<b>10</b>	[kA]
Response time (L-N)	t <sub>A</sub> (L-N)	<b>25</b>	[ns]
Response time (N-PE)	t <sub>A</sub> (N-PE)	<b>100</b>	[ns]
Remote indication		<b>No</b>	
Visual end of life indication		<b>Yes</b>	
Dynamic thermal disconnection (L-N)		<b>Yes</b>	
Residual current	IGND	<b>0,01</b>	[mA]

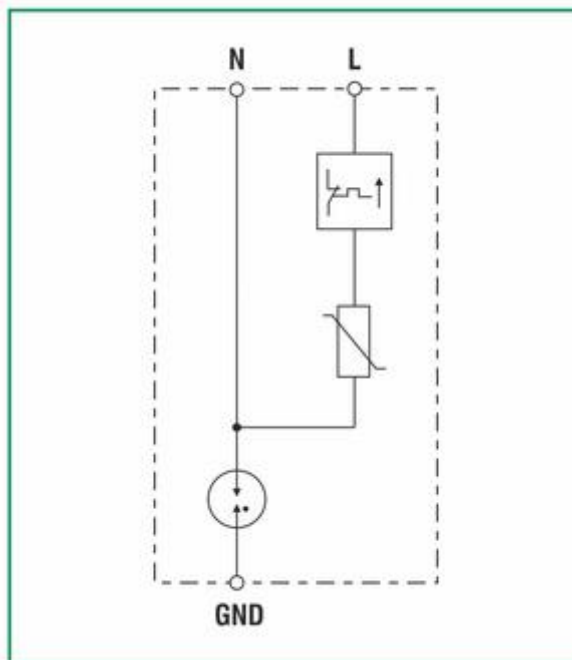
Certifications	Value	Units
Certifications	CE; RoHs	

Wiring diagrams

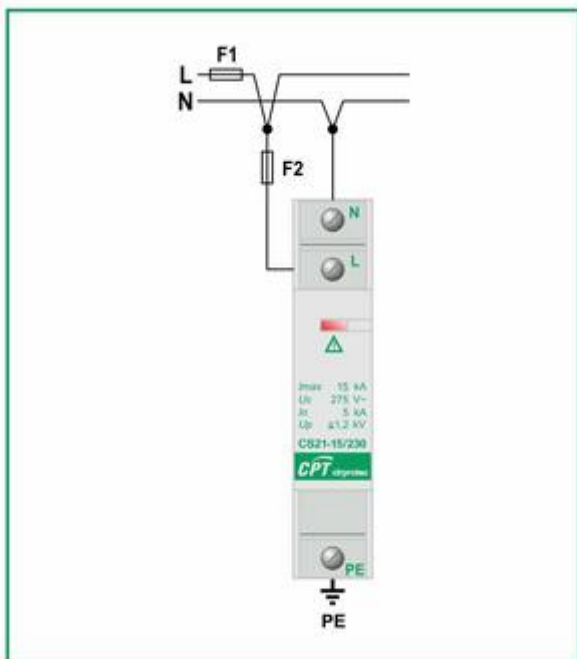
Dimensions



Internal configuration



Wiring diagram



## Downloads

Data sheet	<a href="#">CPT-FT-PROTECCION-CONTRA-SOBRETENSIONES-CS21-15.pdf</a>
Install sheet	<a href="#">CPT-FAP-PROTECCION-CONTRA-SOBRETENSIONES-CS21-15.pdf</a>

## Address



### Barcelona

**Cirprotec, S.L.U.**

C/ Lepanto, 49

08223 - Terrassa (Barcelona)

Tel. +34 937 331 684

Fax. +34 93 733 27 64

[www.cirprotec.com](http://www.cirprotec.com)

Copyright © Cirprotec, S.L.

[Legal Notice](#)