

RD2-10/230

77704005



Protector against transient overvoltages, type 3, 230 V, 10 kA and one-phase (two-pole).

Scan this QR code and see the full range



[Link to the product page](#)

| Technical Data | Value | Units |
|--|-------------------|---------|
| Commercial data | | |
| Code | 77704005 | |
| Part Number | RD2-10/230 | |
| Status | Discontinued | |
| EAN | 8435297811046 | |
| Tariff code (HS) | 8536.30.90 | |
| Dimensions | | |
| Product height | 90 | [mm] |
| Product width | 35 | [mm] |
| Product length | 59 | [mm] |
| Product weight | 126 | [gr] |
| General data | | |
| No. poles | 2 | |
| No. DIN rail modules | 2 | |
| Installation | (L-L) | |
| Format | Monobloc | |
| Certifications | CE | |
| Designation according to EN 61643-11 | Type 3 | |
| Designation according to IEC 61643-11 | Class III | |
| Enclosure | IP 20 | |
| Temperature range | -40 °C ... +80 °C | |
| Technical features | | |
| Supply voltage | 230 / 400 [V] | |
| Nominal voltage AC 50-60 Hz (L-N) | Un (L-N) | 230 [V] |
| Maximum continuous operating voltage (L-L) | Uc (L-L) | 275 [V] |

| | | | |
|---|-----------|-----------------|------|
| Nominal discharge current (8/20) (L-L) | In (L-L) | 3,0 | [kA] |
| Nominal discharge current (8/20) (L-PE) | In (L-PE) | 3 | [kA] |
| Nominal discharge current (8/20) | In | 3 | [kA] |
| Voltage protection level (L-L) at In | Up (L-L) | 1,2 | [kV] |
| Voltage protection level (L-PE) at In | Up (L-PE) | 1,5 | [kV] |
| Combined discharge voltage (1,2/50) | Uoc | 6 | [kV] |
| Short circuit withstand | Iscrr | 10 | [kA] |
| Response time (L-L) | tA (L-L) | 25 | [ns] |
| Response time (L-PE) | tA (L-PE) | 100 | [ns] |
| Connection | | Parallel | |
| Remote indication | | No | |
| Visual end of life indication | | Yes | |

Certifications

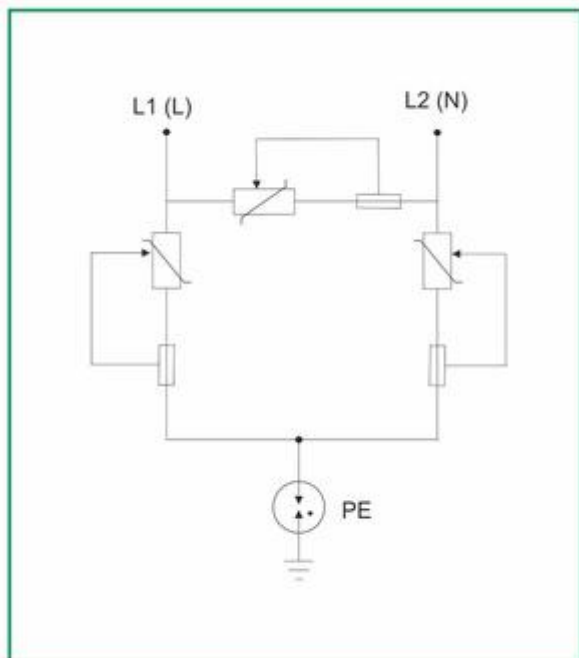
Value | Units

Certifications

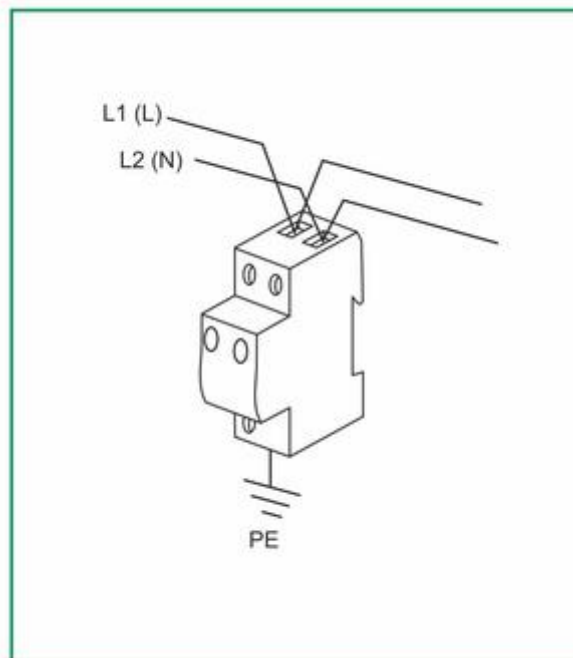
CE

Wiring diagrams

Internal configuration



Wiring diagram



Downloads

Data sheet

[CPT-FT-PROTECCION-CONTRA-SOBRETENSIONES-RD.pdf](#)

Address



Barcelona

Cirprotec, S.L.U.

C/ Lepanto, 49

08223 - Terrassa (Barcelona)

Tel. +34 937 331 684

Fax. +34 93 733 27 64

www.cirprotec.com

Copyright © Cirprotec, S.L.

[Legal Notice](#)