

PSM4-20/400 TNS

77707952

Surge Protection Device, Type 2+3, 4 poles, 3 phase WYE, 20kA(8/20),230V
TNS, earthing system



[Link to the product page](#)

Technical Data	Value	Units
Commercial data		
Code	77707952	
Part Number	PSM4-20/400 TNS	
Status	Available	
EAN	8435297830283	
Tariff code (HS)	8536.30.90	
Dimensions		
Product height	90	[mm]
Product width	72	[mm]
Product length	70	[mm]
Product weight	388	[gr]
General data		
Internal configuration	4P	
No. poles	4	
No. DIN rail modules	4	
Installation	(L1-L2-L3-N-PE)	
Format	Pluggable	
Network configuration	TT, TNS	
Certifications	CE; RCM	
Designation according to EN 61643-11	Type 2+3	
Designation according to IEC 61643-11	Class II+III	
Insulating material & flammability class	PA66 CT1; V-0	
Enclosure	IP 20	
Temperature range	-40 °C ... +80 °C	
Technical features		

Supply voltage		230 / 400 [V]	
Nominal voltage AC 50-60 Hz (L-N)	Un (L-N)	230	[V]
Nominal voltage AC 50-60 Hz (L-L)	Un (L-L)	400	[V]
Maximum continuous operating voltage (L-PE)	Uc (L-PE)	320	[V]
Maximum discharge current (8/20) (L-PE)	I _{max} (L-PE)	20	[kA]
Nominal discharge current (8/20) (L-PE)	I _n (L-PE)	10	[kA]
Nominal discharge current (8/20)	I _n	10	[kA]
Voltage protection level (L-PE) at I _n	U _p (L-PE)	1,4	[kV]
Maximum back-up fuse		80	A [gG]
Combined discharge voltage (1,2/50)	U _{oc}	10	[kV]
Short circuit withstand	I _{sc}	25	[kA]
Response time (L-PE)	t _A (L-PE)	25	[ns]
Remote indication		No	
Visual end of life indication		Yes	
Dynamic thermal disconnection (L-PE)		Yes	

Certifications	Value	Units
Certifications	CE; RCM	

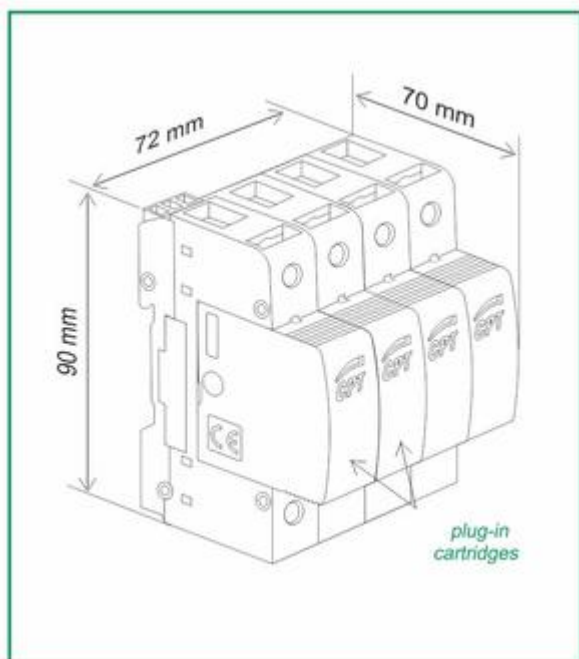
Accessories



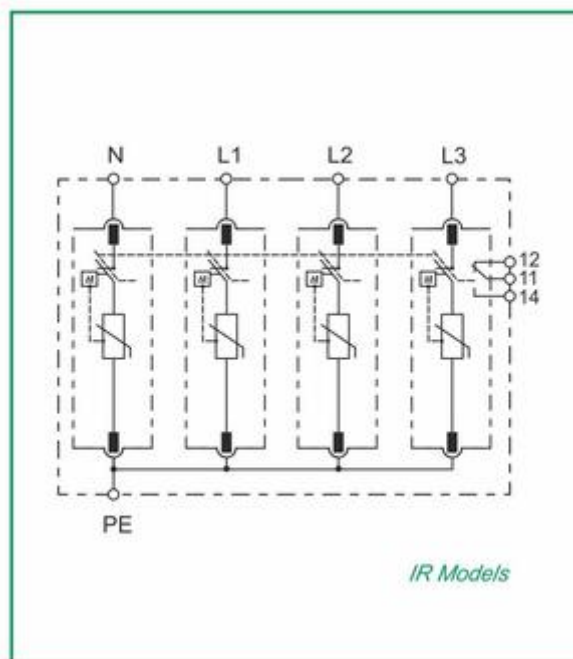
Código	77707651
Referencia	PSM-20/230
Description	Replaceable module, Type 2+3, Ph,20kA(8/20), 230V

Wiring diagrams

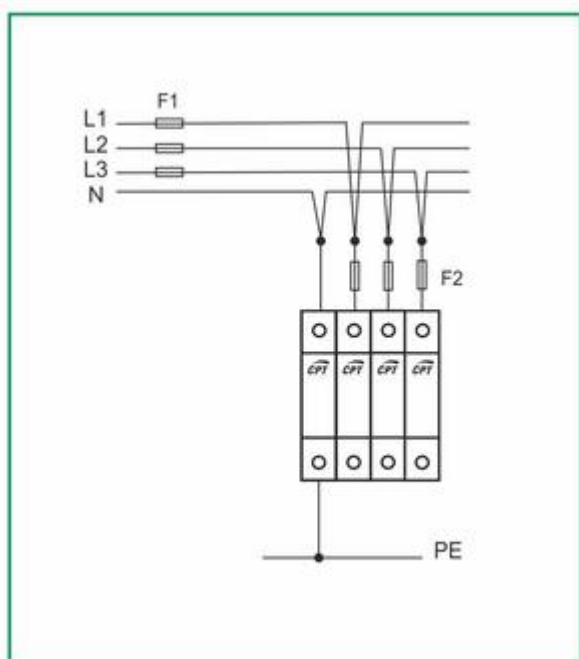
Dimensions



Internal configuration



Wiring diagram



Other images

PSM-POLARIZADOR



PSM-INDICADOR-REMOTA



PSM-CONEXION-BICONNECT



PSM-INDICADOR-ESTADO



PSM-SUSTITUCION-CARTUCHO



Downloads

Install sheet	CPT-FAP-PROTECCION-CONTRA-SOBRETENSIONES-PSM4-20.pdf
Wiring diagram (CAD)	CPT-CAD-PROTECCION-CONTRA-SOBRETENSIONES-PSM4-20-400-TNS-77707952.dwg
Wiring diagram (PDF)	CPT-CIP-PROTECCION-CONTRA-SOBRETENSIONES-PSM4-20-400-TNS-77707952.pdf

Address



Barcelona

Cirprotec, S.L.U.

C/ Lepanto, 49

08223 - Terrassa (Barcelona)

Tel. +34 937 331 684

Fax. +34 93 733 27 64

www.cirprotec.com

Copyright © Cirprotec, S.L.

[Legal Notice](#)