

PSM3-40/400 TNC

77707866

Surge Protection Device, Type 2, 3 poles, 3 phase Delta, 40kA(8/20),230V TNC, earthing system



Scan this QR code and see the full range



[Link to the product page](#)

Technical Data	Value	Units
----------------	-------	-------

Commercial data

Code	77707866	
Part Number	PSM3-40/400 TNC	
Status	Available	
EAN	8435297830146	
Tariff code (HS)	8536.30.90	

Dimensions

Product height	90	[mm]
Product width	54	[mm]
Product length	70	[mm]
Product weight	321	[gr]

General data

Internal configuration	3P	
No. poles	3	
No. DIN rail modules	3	
Installation	(L1-L2-L3-PEN)	
Format	Pluggable	
Network configuration	TNC	
Certifications	CE; RCM; UL 1449	
Designation according to EN 61643-11	Type 2	
Designation according to IEC 61643-11	Class II	
Insulating material & flammability class	PA66 CT1; V-0	
Enclosure	IP 20	
Temperature range	-40 °C ... +85 °C	

Technical features

Supply voltage		230 / 400 [V]	
Nominal voltage AC 50-60 Hz (L-L)	Un (L-L)	400	[V]
Maximum continuous operating voltage (L-PEN)	Uc (L-PEN)	275	[V]
Maximum discharge current (8/20) (L-PEN)	I _{max} (L-PEN)	40	[kA]
Nominal discharge current (8/20) (L-PEN)	I _n (L-PEN)	20	[kA]
Nominal discharge current (8/20)	I _n	20	[kA]
Voltage protection level (L-PEN) at I _n	U _p (L-PEN)	1,3	[kV]
Maximum back-up fuse		125	A [gL]
Short circuit withstand	I _{sc}	25	[kA]
Response time (L-PEN)	t _A (L-PEN)	25	[ns]
Remote indication		No	
Visual end of life indication		Yes	
Dynamic thermal disconnection (L-PEN)		Yes	

UL Technical features

File UL		E360120	
SPD UL Type		2CA	
Power distribution system		3Y	
Maximum continuous operating voltage (L-L)	MCOV (L-L)	550	[V]
Maximum continuous operating voltage (L-G)	MCOV (L-G)	275	[V]
Nominal discharge current (UL)	I _n	20	[kA]
Voltage protection level (L-L) at I _n	VPR (L-L)	1800	[V]
Voltage protection level (L-G) at I _n	VPR (L-G)	900	[V]
Short circuit current rating	SCCR	85	[kA]

Certifications	Value	Units
Certifications	CE; RCM; UL 1449	

Accessories



Código

77707654

Referencia

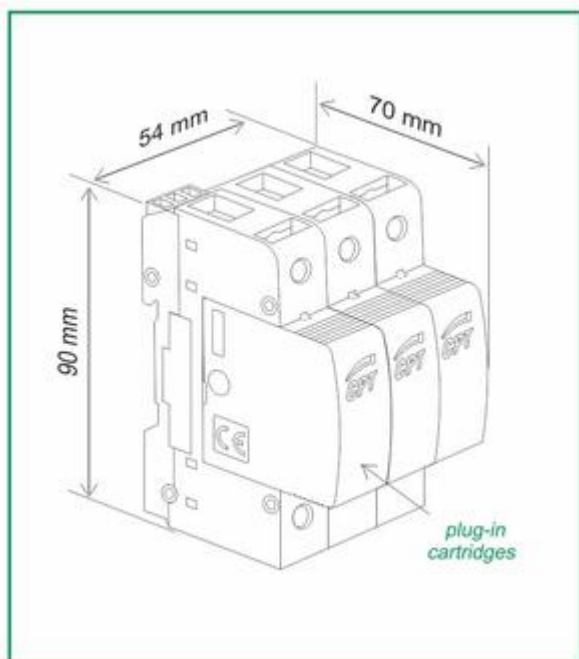
PSM-40/230

Description

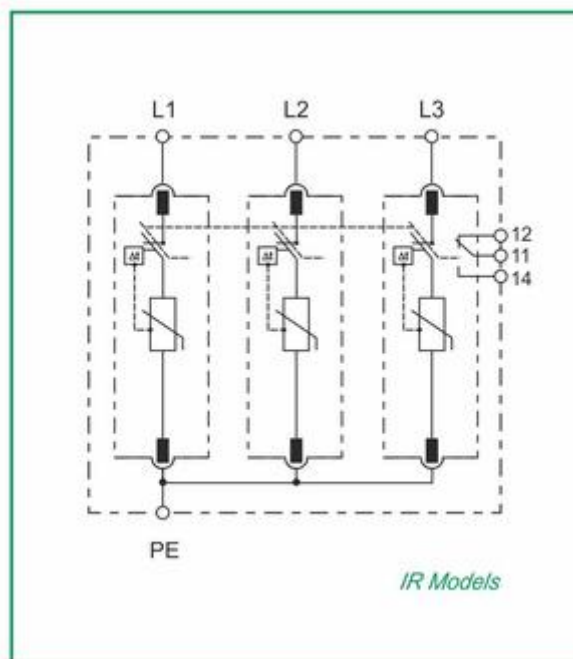
**Replaceable module, Type 2,
Ph,40A(8/20), 230V**

Wiring diagrams

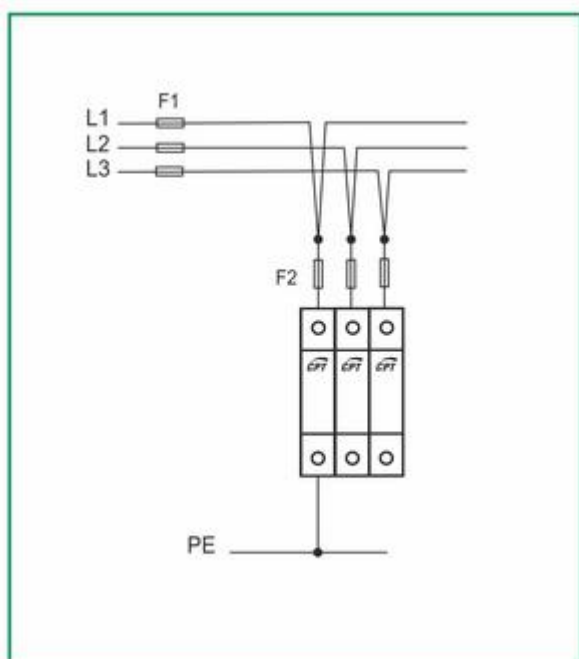
Dimensions



Internal configuration



Wiring diagram



Other images

PSM-POLARIZADOR



PSM-INDICADOR-REMOTA



PSM-CONEXION-BICONNECT



PSM-INDICADOR-ESTADO



PSM-SUSTITUCION-CARTUCHO



Downloads

Install sheet	CPT-FAP-PROTECCION-CONTRA-SOBRETENSIONES-PSM3-40-TNC.pdf
Wiring diagram (CAD)	CPT-CAD-PROTECCION-CONTRA-SOBRETENSIONES-PSM3-40-400-TNC-77707866.dwg
Wiring diagram (PDF)	CPT-CIP-PROTECCION-CONTRA-SOBRETENSIONES-PSM3-40-400-TNC-77707866.pdf

Address



Barcelona

Cirprotec, S.L.U.

C/ Lepanto, 49

08223 - Terrassa (Barcelona)

Tel. +34 937 331 684

Fax. +34 93 733 27 64

www.cirprotec.com

Copyright © Cirprotec, S.L.

[Legal Notice](#)