

PSM3-30/750 TNC

77707870



Protector against transient overvoltages, type 2, 750 V, 30 kA (8/20) and three-pole.

Scan this QR code and see the full range



[Link to the product page](#)

Technical Data

Value | Units

Commercial data

Code	77707870
Part Number	PSM3-30/750 TNC
Status	Available
EAN	8435297833222
Tariff code (HS)	8536.30.90

Dimensions

Packaging height	85	[mm]
Packaging width	65	[mm]
Packaging length	105	[mm]
Packaging weight	400	[gr]
Packaging unit	1	
Product height	90	[mm]
Product width	54	[mm]
Product length	70	[mm]
Product weight	373	[gr]

General data

Internal configuration	3P
No. poles	3
No. DIN rail modules	3
Installation	(L1-L2-L3-PEN)
Format	Pluggable
Network configuration	TNC

Certifications	CE
Designation according to EN 61643-11	Type 2
Designation according to IEC 61643-11	Class II
Insulating material & flammability class	PA66 CT1; V-0
Base element color	Grey anthracite
Cartridge color	Grey RAL 7035
Enclosure	IP 20
Temperature range	-40 °C ... +80 °C

Technical features

Supply voltage		690 / - [V]	
Nominal voltage AC 50-60 Hz (L-N)	Un (L-N)	690	[V]
Maximum continuous operating voltage (L-PEN)	Uc (L-PEN)	750	[V]
Maximum discharge current (8/20) (L-PEN)	I _{max} (L-PEN)	30	[kA]
Nominal discharge current (8/20) (L-PEN)	I _n (L-PEN)	15	[kA]
Voltage protection level (L-PEN) at I _n	Up (L-PEN)	3,0	[kV]
Maximum back-up fuse		63	A [gL]
Short circuit withstand	I _{sc}	25	[kA]
Response time (L-PEN)	t _A (L-PEN)	25	[ns]
Remote indication		No	
Visual end of life indication		Yes	
Dynamic thermal disconnection (L-PEN)		Yes	

UL Technical features

SPD UL Type		2CA	
Power distribution system		3D	
Maximum continuous operating voltage (L-L)	MCOV (L-L)	1500	[V]
Maximum continuous operating voltage (L-G)	MCOV (L-G)	750	[V]
Nominal discharge current (UL)	I _n	10	[kA]
Voltage protection rating	VPR	50	[V]
Voltage protection level (L-L) at I _n	VPR (L-L)	5000	[V]
Voltage protection level (L-G) at I _n	VPR (L-G)	2500	[V]

Wiring of connection circuit

Torque		4	[Nm]
Rigid bare wire		10	[mm]
Min. rigid conductor section		6	[mm ²]
Max. rigid conductor section		35	[mm ²]
Flexible bare wire		10	[mm]
Min. flexible cable section		6	[mm ²]
Max. flexible conductor section		25	[mm ²]

Certifications

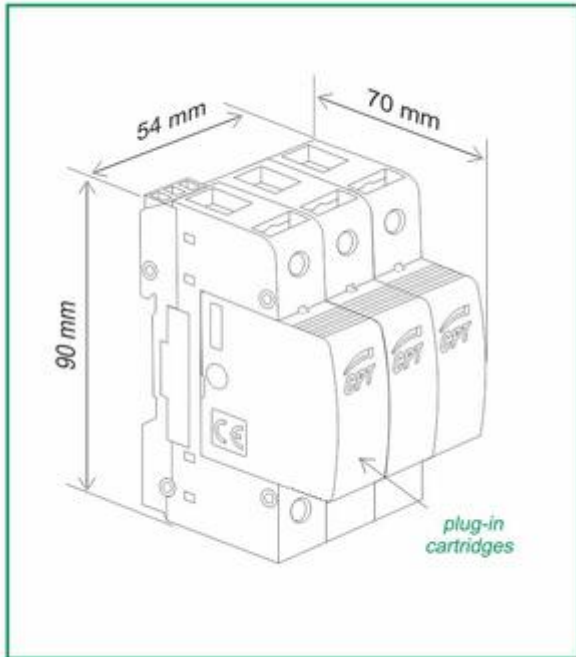
Value | Units

Certifications

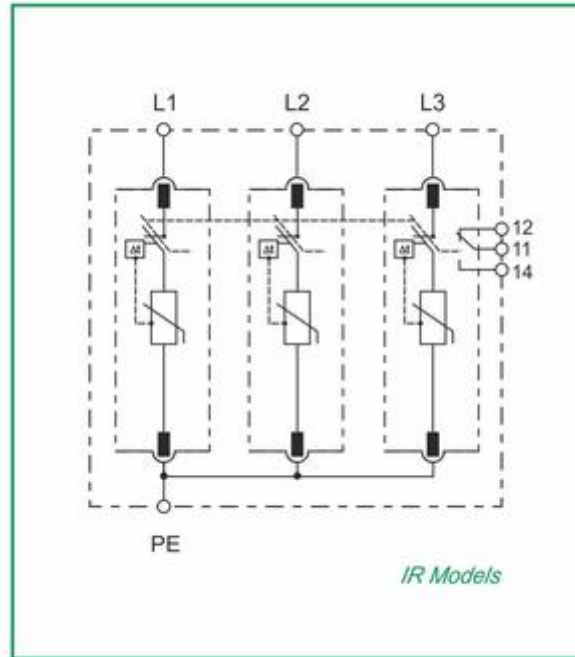
CE

Wiring diagrams

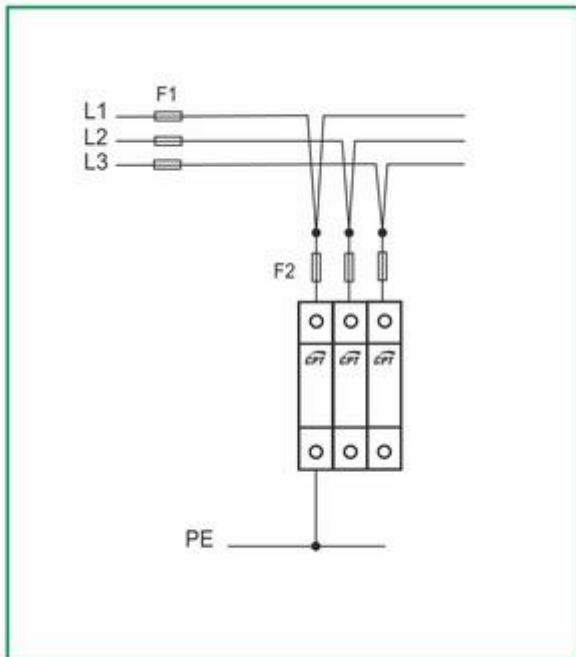
Dimensions



Internal configuration



Wiring diagram

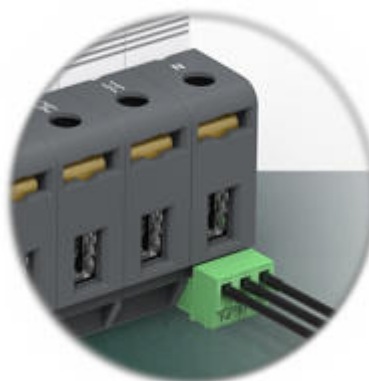


Other images

PSM-POLARIZADOR



PSM-INDICADOR-REMOTA



PSM-CONEXION-BICONNECT



PSM-INDICADOR-ESTADO



PSM-SUSTITUCION-CARTUCHO



Accessories



Código	77707668
Referencia	PSM-30/750
Description	Replaceable module, Type 2, L-N, 30kA (8/20), 750V

Downloads

Data sheet	CPT-FT-PROTECCION-CONTRA-SOBRETENSIONES-PSM3-30-TNC.pdf
Install sheet	CPT-FAP-PROTECCION-CONTRA-SOBRETENSIONES-PSM3-30.pdf
Wiring diagram (CAD)	CPT-CAD-PROTECCION-CONTRA-SOBRETENSIONES-PSM3-30-750-TNC-77707870.dwg
Wiring diagram (PDF)	CPT-CIP-PROTECCION-CONTRA-SOBRETENSIONES-PSM3-30-750-TNC-77707870.pdf

Address



Barcelona

Cirprotec, S.L.

C/ Lepanto, 49

08223 - Terrassa (Barcelona)

Tel. +34 937 331 684

Fax. +34 93 733 27 64

www.cirprotec.com

Copyright © Cirprotec, S.L.

[Legal Notice](#)