

# PSM2-20/230 TNS IR

77707903

SPD surge protector, Type 2+3 / Class II+III, 2 poles (2P), 20 kA (8/20), 230 / 400 V, TNS earthing system, with remote indication, 2 modules, pluggable



[Link to the product page](#)

Technical Data	Value	Units
<b>Commercial data</b>		
Code	77707903	
Part Number	PSM2-20/230 TNS IR	
Status	Available	
EAN	8435297830214	
Tariff code (HS)	8536.30.90	
<b>Dimensions</b>		
Product height	90	[mm]
Product width	36	[mm]
Product length	70	[mm]
Product weight	230	[gr]
<b>General data</b>		
Internal configuration	2P	
No. poles	2	
No. DIN rail modules	2	
Installation	(L-N-PE); (L1-L2-PE)	
Format	Pluggable	
Network configuration	TT, TNS	
Certifications	CE; ÖVE	
Designation according to EN 61643-11	Type 2+3	
Designation according to IEC 61643-11	Class II+III	
Insulating material & flammability class	PA66 CT1; V-0	
Enclosure	IP 20	
Temperature range	-40 °C ... +80 °C	
<b>Technical features</b>		

Supply voltage		230 / 400 [V]	
Nominal voltage AC 50-60 Hz (L-N)	Un (L-N)	230	[V]
Nominal voltage AC 50-60 Hz (L-L)	Un (L-L)	400	[V]
Maximum continuous operating voltage (L-PE)	Uc (L-PE)	320	[V]
Maximum discharge current (8/20) (L-PE)	I <sub>max</sub> (L-PE)	20	[kA]
Nominal discharge current (8/20) (L-PE)	I <sub>n</sub> (L-PE)	10	[kA]
Nominal discharge current (8/20)	I <sub>n</sub>	10	[kA]
Voltage protection level (L-PE) at I <sub>n</sub>	U <sub>p</sub> (L-PE)	1,4	[kV]
Maximum back-up fuse		80	A [gL]
Combined discharge voltage (1,2/50)	U <sub>oc</sub>	10	[kV]
Short circuit withstand	I <sub>sc</sub>	25	[kA]
Response time (L-PE)	t <sub>A</sub> (L-PE)	25	[ns]
Remote indication		Yes	
Visual end of life indication		Yes	
Dynamic thermal disconnection (L-PE)		Yes	

Certifications	Value	Units
Certifications	CE; ÖVE	

## Accessories



Código

77707651

Referencia

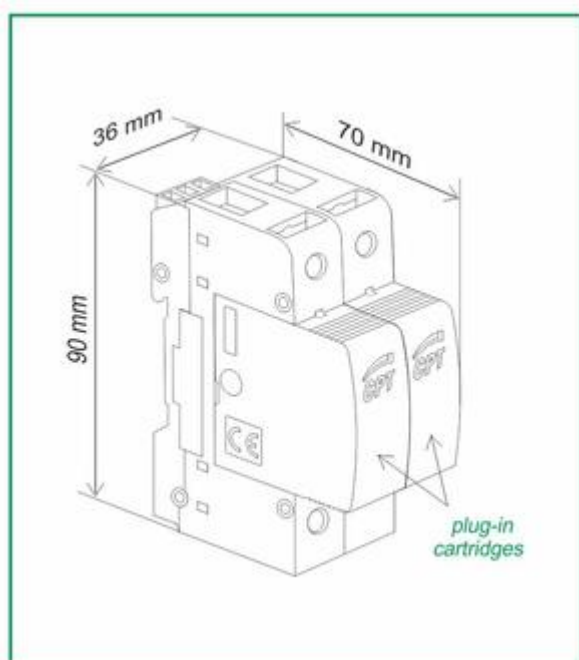
PSM-20/230

Description

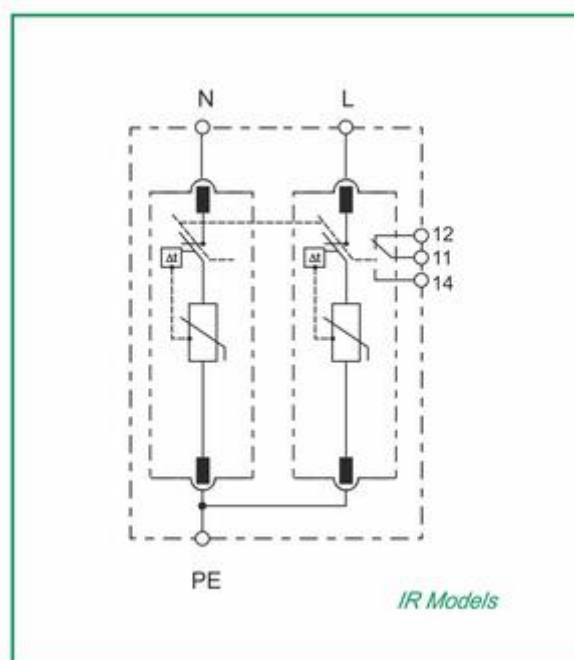
**Replaceable module, Type 2+3,  
Ph,20kA(8/20), 230V**

## Wiring diagrams

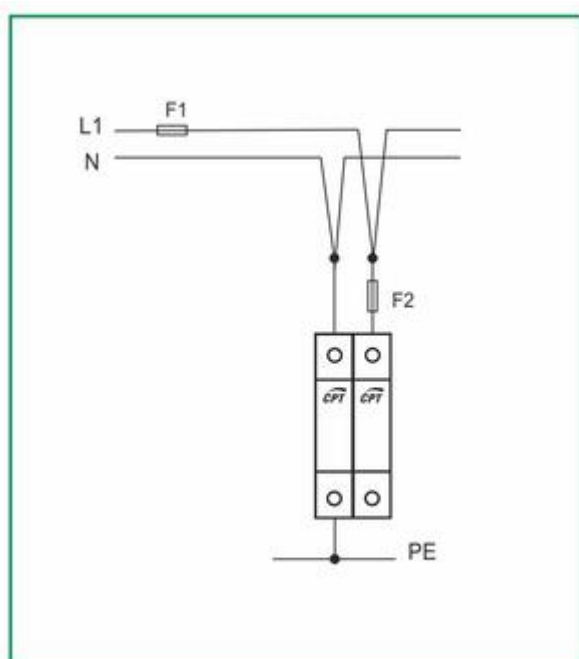
### Dimensions



### Internal configuration



### Wiring diagram



Other images

PSM-POLARIZADOR



PSM-INDICADOR-REMOTA



PSM-CONEXION-BICONNECT



PSM-INDICADOR-ESTADO



PSM-SUSTITUCION-CARTUCHO



## Downloads

Install sheet	<a href="#">CPT-FAP-PROTECCION-CONTRA-SOBRETENSIONES-PSM2-20.pdf</a>
Wiring diagram (CAD)	<a href="#">CPT-CAD-PROTECCION-CONTRA-SOBRETENSIONES-PSM2-20-230-TNS-IR-77707903.dwg</a>
Wiring diagram (PDF)	<a href="#">CPT-CIP-PROTECCION-CONTRA-SOBRETENSIONES-PSM2-20-230-TNS-IR-77707903.pdf</a>

## Address



### Barcelona

#### **Cirprotec, S.L.**

C/ Lepanto, 49

08223 - Terrassa (Barcelona)

Tel. +34 937 331 684

Fax. +34 93 733 27 64

[www.cirprotec.com](http://www.cirprotec.com)

Copyright © Cirprotec, S.L.

[Legal Notice](#)