

# PSL2-8/230 TT

77708155

Protector against transient overvoltages, type 3, 230 V, 8 kA (8/20) and single-phase (two-pole).



Scan this QR code and see the full range



[Link to the product page](#)

Technical Data	Value	Units
<b>Commercial data</b>		
Code	77708155	
Part Number	PSL2-8/230 TT	
Status	Available	
EAN	8435297834915	
Tariff code (HS)	8536.30.90	
<b>Dimensions</b>		
Product height	90	[mm]
Product width	36	[mm]
Product length	70	[mm]
Product weight	198	[gr]
<b>General data</b>		
Internal configuration	1P+N	
No. poles	2	
No. DIN rail modules	2	
Installation	(L-N-PE)	
Format	Pluggable	
Network configuration	TT, TNS	
Certifications	CE	
Designation according to EN 61643-11	Type 3	
Designation according to IEC 61643-11	Class III	
Insulating material & flammability class	PA66 CT1; V-0	
Enclosure	IP 20	
Temperature range	-40 °C ... +80 °C	
<b>Technical features</b>		

Supply voltage		230 / 400 [V]	
Nominal voltage AC 50-60 Hz (L-N)	Un (L-N)	230	[V]
Nominal voltage AC 50-60 Hz (L-L)	Un (L-L)	400	[V]
Maximum continuous operating voltage (L-N)	Uc (L-N)	320	[V]
Maximum continuous operating voltage (N-PE)	Uc (N-PE)	255	[V]
Maximum discharge current (8/20) (L-N)	Imax (L-N)	8	[kA]
Nominal discharge current (8/20) (L-N)	In (L-N)	3	[kA]
Nominal discharge current (8/20)	In	3	[kA]
Voltage protection level (L-N) at In	Up (L-N)	1,1	[kV]
Voltage protection level (N-PE) at In	Up (N-PE)	1,5	[kV]
Maximum back-up fuse		63	A [gG]
Combined discharge voltage (1,2/50)	Uoc	6	[kV]
Short circuit withstand	Iscrr	25	[kA]
Response time (L-N)	tA (L-N)	25	[ns]
Response time (N-PE)	tA (N-PE)	100	[ns]
Following current (N-PE)	Ifi	100	[A]
Remote indication		No	
Visual end of life indication		Yes	
Dynamic thermal disconnection (L-N)		Yes	

Certifications	Value	Units
Certifications	CE	

## Accessories



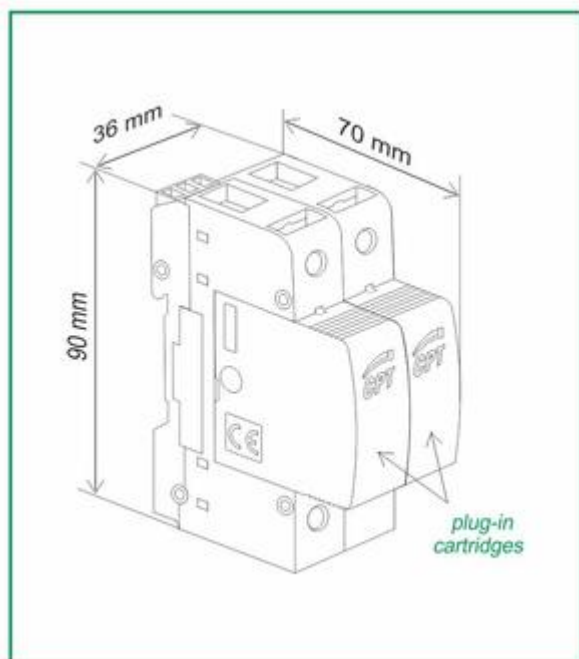
Código	77708100
Referencia	PSL-8/230
Description	<b>Replaceable module, type 3, L-N, 8kA(8/20), 230V</b>



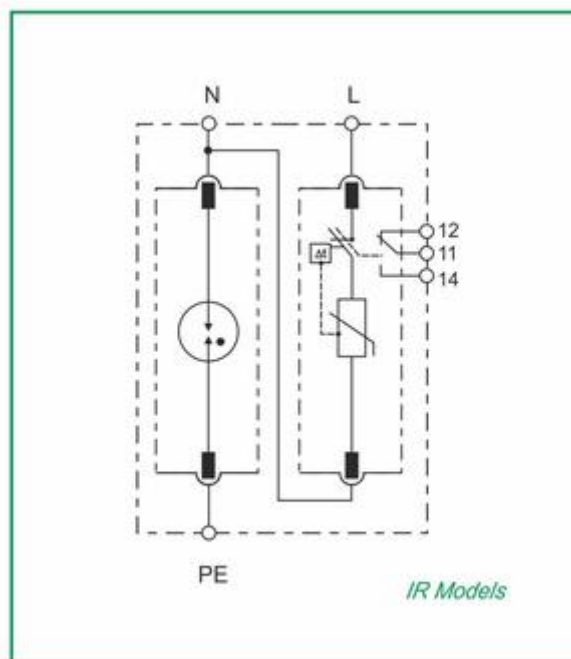
Código	77708105
Referencia	PSL-8N
Description	<b>Replaceable module, type 3, N-PE, 8kA(8/20)</b>

## Wiring diagrams

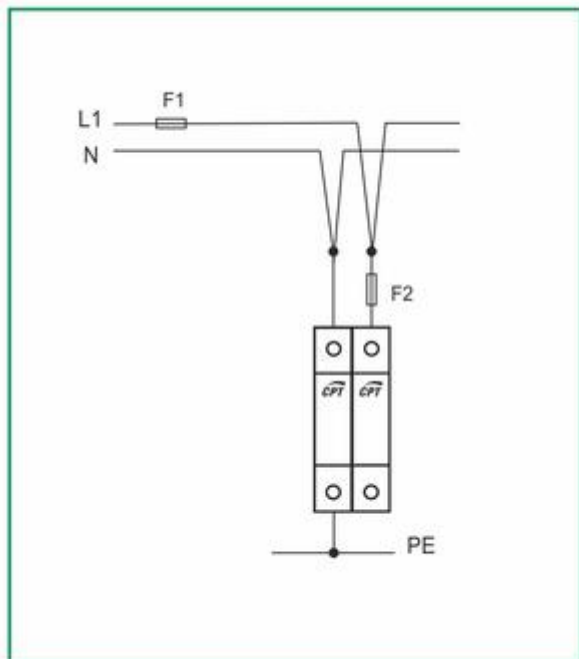
## Dimensions



## Internal configuration



Wiring diagram



Other images

PSL-POLARIZADOR



PSL-INDICADOR-REMOTA



PSL-CONEXION-BICONNECT



PSL-SUSTITUCION-CARTUCHO



## Downloads

Install sheet	<a href="#">CPT-FAP-PROTECCION-CONTRA-SOBRETENSIONES-PSL2-8.pdf</a>
Wiring diagram (CAD)	<a href="#">CPT-CAD-PROTECCION-CONTRA-SOBRETENSIONES-PSL2-8-230-TT-77708155.dwg</a>
Wiring diagram (PDF)	<a href="#">CPT-CIP-PROTECCION-CONTRA-SOBRETENSIONES-PSL2-8-230-TT-77708155.pdf</a>

## Address



### Barcelona

**Cirprotec, S.L.U.**

C/ Lepanto, 49

08223 - Terrassa (Barcelona)

Tel. +34 937 331 684

Fax. +34 93 733 27 64

[www.cirprotec.com](http://www.cirprotec.com)

Copyright © Cirprotec, S.L.

[Legal Notice](#)