

# PSC1-25/230

77738125

Surge Protection Device, Type 1+2, 1Ph,25kA(10/350), 230V,



Scan this QR code and see the full range



[Link to the product page](#)

Technical Data	Value	Units
<b>Commercial data</b>		
Code	77738125	
Part Number	PSC1-25/230	
Status	Available	
EAN	8435297827047	
Tariff code (HS)	8536.30.90	
<b>Dimensions</b>		
Product height	90	[mm]
Product width	36	[mm]
Product length	76	[mm]
Product weight	330	[gr]
<b>General data</b>		
Internal configuration	1P	
No. poles	1	
No. DIN rail modules	2	
Installation	(L-N)	
Format	Pluggable	
Network configuration	TT, TNS, TNC, IT	
Certifications	CE	
Designation according to EN 61643-11	Type 1+2	
Designation according to IEC 61643-11	Class I+II	
Insulating material & flammability class	PA66 CT1; V-0	
Enclosure	IP 20	
Temperature range	-40 °C ... +80 °C	
<b>Technical features</b>		

Supply voltage		230 / 400 [V]	
Nominal voltage AC 50-60 Hz (L-N)	Un (L-N)	230	[V]
Maximum continuous operating voltage (L-N)	Uc (L-N)	275	[V]
Lightning impulse current (10/350) (L-N)	Iimp (L-N)	25	[kA]
Maximum discharge current (8/20) (L-N)	I <sub>max</sub> (L-N)	100	[kA]
Nominal discharge current (8/20) (L-N)	I <sub>n</sub> (L-N)	25	[kA]
Nominal discharge current (8/20)	I <sub>n</sub>	25	[kA]
Voltage protection level (L-N) at I <sub>n</sub>	Up (L-N)	1,5	[kV]
Maximum back-up fuse		315	[A gG]
Short circuit withstand	I <sub>sc</sub>	25	[kA]
Response time (L-N)	t <sub>A</sub> (L-N)	25	[ns]
Remote indication		No	
Visual end of life indication		Yes	
Dynamic thermal disconnection (L-N)		Yes	

Certifications	Value	Units
Certifications	CE	

Accessories



Código

77738611

Referencia

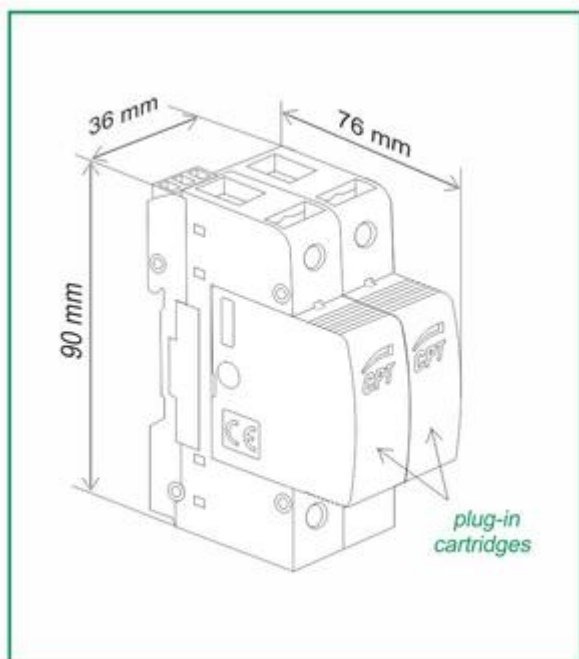
PSC-25/230

Description

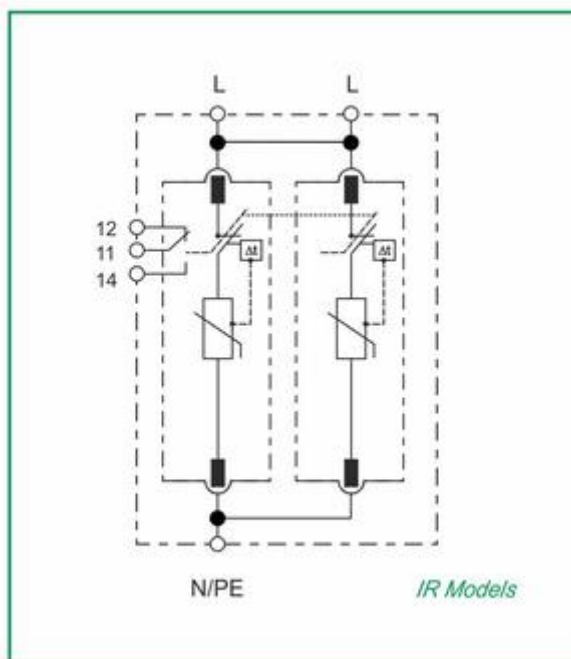
**Replaceable module, Type 1+2,  
Ph,25kA(10/350), 230V**

Wiring diagrams

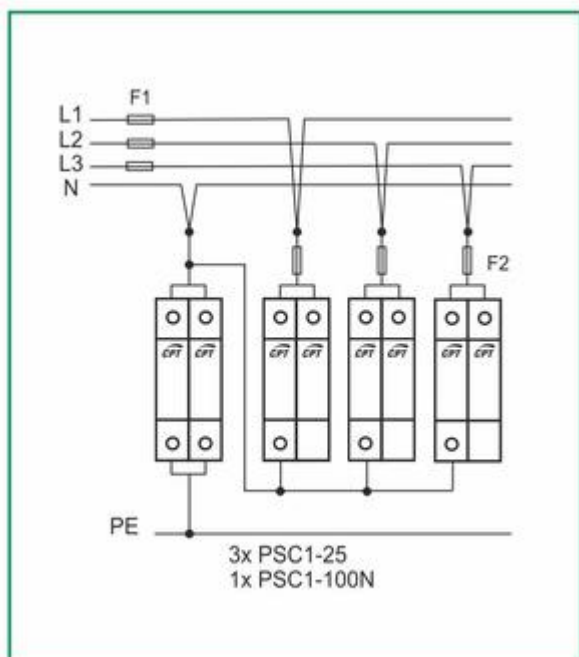
Dimensions



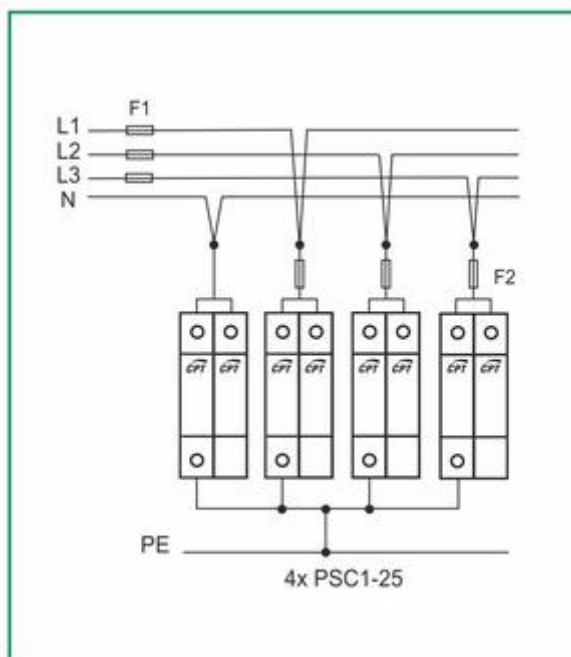
Internal configuration



Wiring diagram



Wiring diagram



Other images

PSM-POLARIZADOR



PSM-INDICADOR-REMOTA



PSM-CONEXION-BICONNECT



PSM-SUSTITUCION-CARTUCHO



## Downloads

Install sheet

[CPT-FAP-PROTECCION-CONTRA-SOBRETENSIONES-PSC1-25.pdf](#)

## Address



FIRST POWER &  
SURGE PROTECTION LTD

**FIRST POWER & SURGE PROTECTION, LTD**

Tel. 0114 2626 121

[www.firstpowerandsurgeprotection.com](http://www.firstpowerandsurgeprotection.com)

Copyright © Cirprotec, S.L.

[Legal Notice](#)