

CSF21-24

77704103



Combined SPD, Type 2+3 / Class II+III, 2 poles, 6 kA (8/20), 6 kV (Uoc), 24 Vac, 1 module.

[Link to the product page](#)

Technical Data	Value	Units
Commercial data		
Code	77704103	
Part Number	CSF21-24	
Status	Available	
EAN	8435297831891	
Tariff code (HS)	8536.30.90	
Dimensions		
Product height	85	[mm]
Product width	18	[mm]
Product length	65	[mm]
Product weight	50	[gr]
General data		
Internal configuration	2P	
No. poles	2	
No. DIN rail modules	1	
Installation	(L1-L2-PE)	
Format	DIN	
Certifications	CE; RoHs	
Designation according to EN 61643-11	Type 2+3	
Designation according to IEC 61643-11	Class II+III	
Insulating material & flammability class	PC+FG; V-0	
Enclosure	IP 20	
Temperature range	-40 °C... +80 °C	
Technical features		
Supply voltage	24 [Vac]	

Nominal voltage AC 50-60 Hz (L1-L2)	Un (L1-L2)	24	[Vac]
Maximum continuous operating voltage (L1-L2)	Uc (L1-L2)	30	[Vac]
Maximum continuous operating voltage (L1-L2)	Uc (L1-L2)	36	[Vdc]
Maximum discharge current (8/20) (L1-L2)	I _{max} (L1-L2)	6	[kA]
Nominal discharge current (8/20) (L1-L2)	I _n (L1-L2)	3	[kA]
Nominal discharge current (8/20)	I _n	3	[kA]
Voltage protection level (L1-L2) at I _n	U _p (L1-L2)	0,25	[kV]
Voltage protection level (L1/L2-PE) at I _n	U _p (L1/L2-PE)	0,7	[kV]
Maximum back-up fuse		63	A [gL]
Combined discharge voltage (1,2/50)	U _{oc}	6	[kV]
Short circuit withstand	I _{sc}	10	[kA]
Response time (L1-L2)	t _A (L1-L2)	25	[ns]
Response time (L1/L2-PE)	t _A (L1/L2-PE)	100	[ns]
Remote indication		No	
Visual end of life indication		Yes	
Dynamic thermal disconnection (L1/L2-PE)		Yes	

Certifications

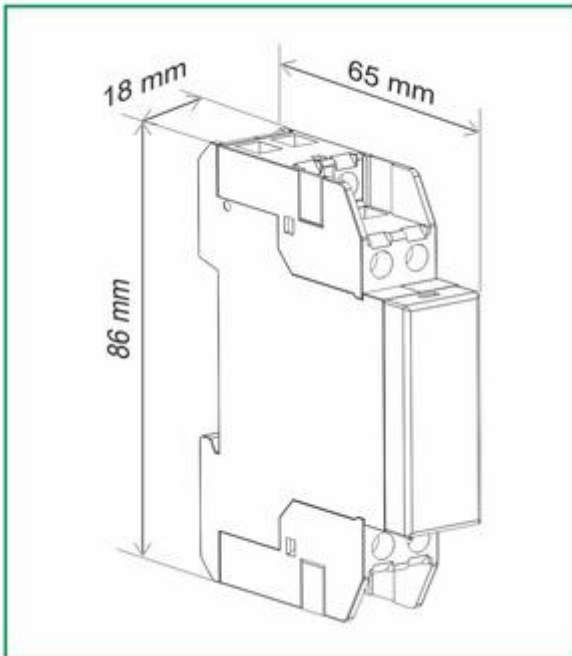
Value | Units

Certifications

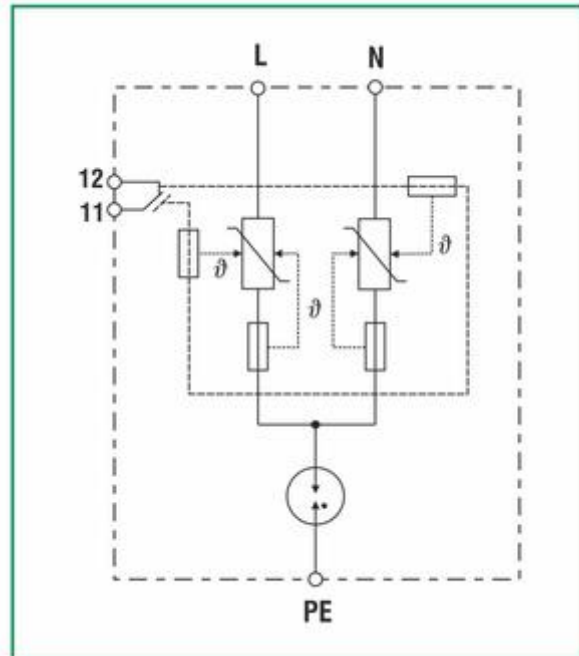
CE; RoHs

Wiring diagrams

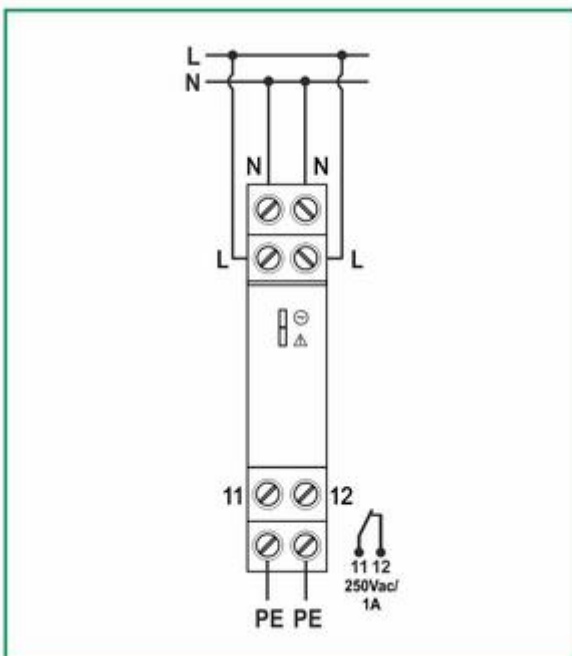
Dimensions



Internal configuration



Wiring diagram



Downloads

Data sheet [CPT-FT-PROTECCION-CONTRA-SOBRETENSIONES-CSF21.pdf](#)

Address



Barcelona

Cirprotec, S.L.U.

C/ Lepanto, 49

08223 - Terrassa (Barcelona)

Tel. +34 937 331 684

Fax. +34 93 733 27 64

www.cirprotec.com

Copyright © Cirprotec, S.L.

[Legal Notice](#)