

CS21-15/230

77705213



Scan this QR code and see the full range



[Link to the product page](#)

Technical Data	Value	Units
Commercial data		
Code	77705213	
Part Number	CS21-15/230	
Status	Available	
EAN	8435297810858	
Tariff code (HS)	8536.30.90	
Dimensions		
Product height	86	[mm]
Product width	18	[mm]
Product length	65	[mm]
Product weight	50	[gr]
General data		
Internal configuration	1P+N	
No. poles	2	
No. DIN rail modules	1	
Installation	(L-N)	
Format	Monobloc	
Network configuration	TT, TNS, TNC	
Certifications	CE; RoHs	
Designation according to EN 61643-11	Type 2	
Designation according to IEC 61643-11	Class II	
Insulating material & flammability class	PC; V-0	
Temperature range	-40 °C ... +80 °C	
Technical features		
Supply voltage	230 / 400 [V]	

Nominal voltage AC 50-60 Hz (L-N)	Un (L-N)	230	[V]
Maximum continuous operating voltage (L-N)	Uc (L-N)	275	[V]
Maximum continuous operating voltage (L-PE)	Uc (L-PE)	255	[V]
Maximum discharge current (8/20) (L-N)	I _{max} (L-N)	15	[kA]
Maximum discharge current (8/20) (N-PE)	I _{max} (N-PE)	15	[kA]
Nominal discharge current (8/20) (L-N)	I _n (L-N)	5	[kA]
Nominal discharge current (8/20) (N-PE)	I _n (N-PE)	5	[kA]
Nominal discharge current (8/20)	I _n	5	[kA]
Voltage protection level (L-N) at I _n	U _p (L-N)	1,2	[kV]
Voltage protection level (N-PE) at I _n	U _p (N-PE)	1,5	[kV]
Maximum back-up fuse		63	A [gG]
Short circuit withstand	I _{sc}	10	[kA]
Response time (L-N)	t _A (L-N)	25	[ns]
Response time (N-PE)	t _A (N-PE)	100	[ns]
Remote indication		No	
Visual end of life indication		Yes	
Dynamic thermal disconnection (L-N)		Yes	
Residual current	IGND	0,01	[mA]

Certifications

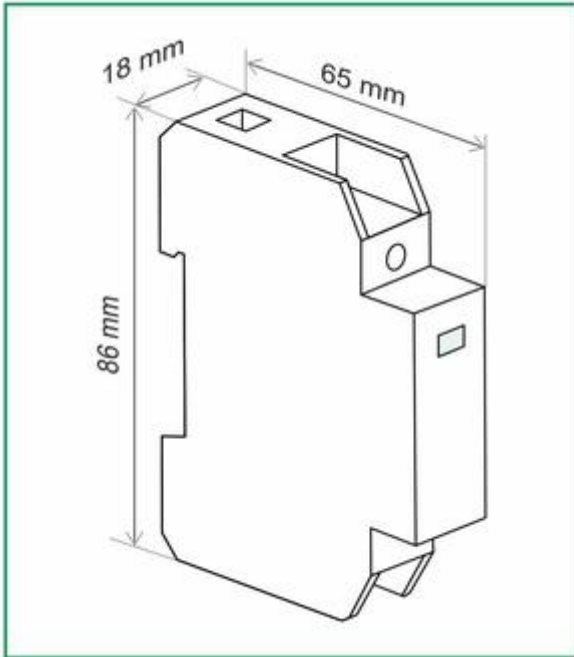
Value | Units

Certifications

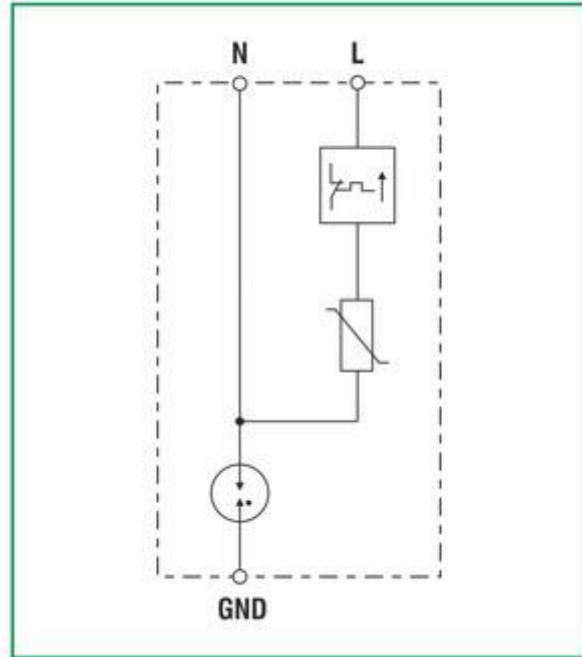
CE; RoHs

Wiring diagrams

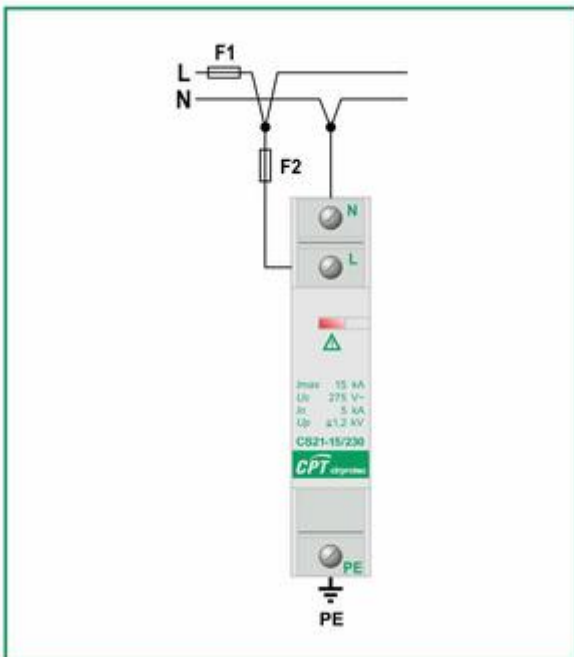
Dimensions



Internal configuration



Wiring diagram



Downloads

Data sheet	CPT-FT-PROTECCION-CONTRA-SOBRETENSIONES-CS21-15.pdf
Install sheet	CPT-FAP-PROTECCION-CONTRA-SOBRETENSIONES-CS21-15.pdf

Address



Barcelona

Cirprotec, S.L.U.

C/ Lepanto, 49

08223 - Terrassa (Barcelona)

Tel. +34 937 331 684

Fax. +34 93 733 27 64

www.cirprotec.com

Copyright © Cirprotec, S.L.

[Legal Notice](#)