

PSC2-12,5/230 TNS

77738255



Scan this QR code and see the full range



[Link to the product page](#)

Combined SPD - lightning current and surge arrester, Type 1+2 / Class I+II, 2 poles (2P), (L-N-PE); (L1-L2-PE), 12.5 kA (10/350), 230 / 400 V, TNS earthing system, 2 modules, pluggable.

Technical Data

Value | Units

Commercial data

Code	77738255	
Part Number	PSC2-12,5/230 TNS	
Status	Available	
EAN	8435297829614	
Tariff code (HS)	8536.30.90	
Packaging height	90	[mm]
Packaging width	43	[mm]
Packaging length	105	[mm]
Packaging weight	345	[gr]
Packaging unit	1	

Technical features

Internal configuration	2P	
No. poles	2	
No. DIN rail modules	2	
Installation	(L-N-PE); (L1-L2-PE)	
Format	Pluggable	
Network configuration	TT, TNS	
Product standards	IEC 61643-1; EN 61643-11	
Certifications	CE	

Designation according to EN 61643-11		Type 1+2	
Designation according to IEC 61643-1		Class I+II	
Supply voltage		230 / 400 [V]	
Nominal voltage AC 50-60 Hz (L-N)	Un (L-N)	230	[V]
Nominal voltage AC 50-60 Hz (L-L)	Un (L-L)	400	[V]
Maximum continuous operating voltage (L-PE)	Uc (L-PE)	275	[V]
Lightning impulse current (10/350) (L-PE)	Iimp (L-PE)	12,5	[kA]
Maximum discharge current (8/20) (L-PE)	I _{max} (L-PE)	65	[kA]
Nominal discharge current (8/20) (L-PE)	I _n (L-PE)	20	[kA]
Voltage protection level (L-PE) at I _n	Up (L-PE)	1,3	[kV]
Maximum back-up fuse		125	A [gL]
Short circuit withstand	I _{cc}	25	[kA]
Response time (L-PE)	tA	25	[ns]
Remote indication		No	
Visual end of life indication		Yes	
Dynamic thermal disconnection (L-PE)		Yes	
Insulating material & flammability class		PA66 CT1; V-0	
Base element color		Grey anthracite	
Cartridge color		Orange	
Enclosure		IP 20	
Temperature range		-40 °C ... +80 °C	
Product height		90	[mm]
Product width		36	[mm]
Product length		76	[mm]
Product weight		325	[gr]

Wiring of connection circuit

Torque		4	[Nm]
Rigid flexible wire		10	[mm]
Min. rigid conductor section		6	[mm ²]
Max. rigid conductor section		35	[mm ²]
Flexible bare wire		10	[mm]
Min. flexible cable section		6	[mm ²]
Max. flexible conductor section		25	[mm ²]

More information

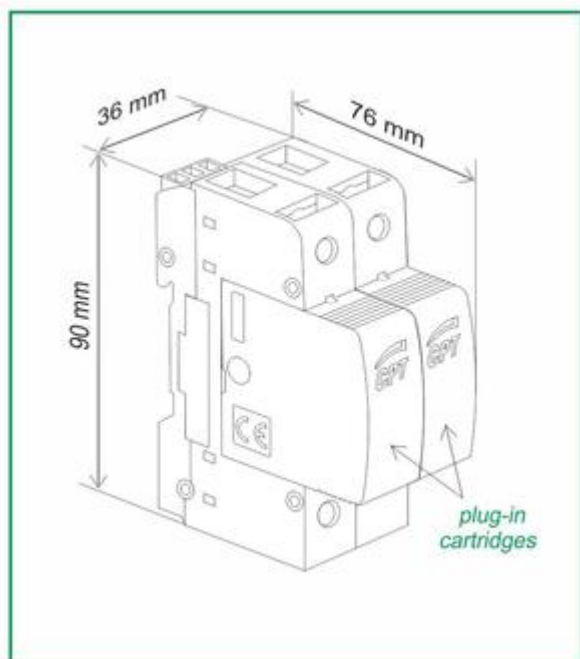
More about the product range on page...		22	
... of this catalogue	CPT-Cirprotec-V-OVERVOLTAGE-AND-SURGE-PROTECTION [MB]		4.05

Specification data

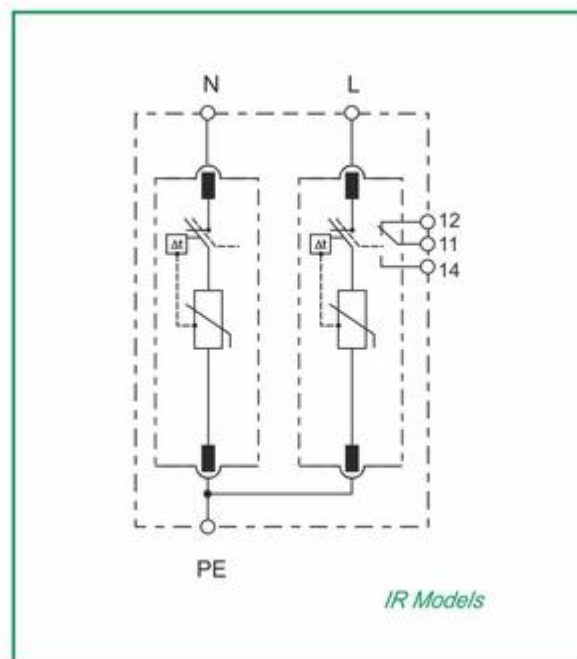
Unspecified

Wiring diagrams

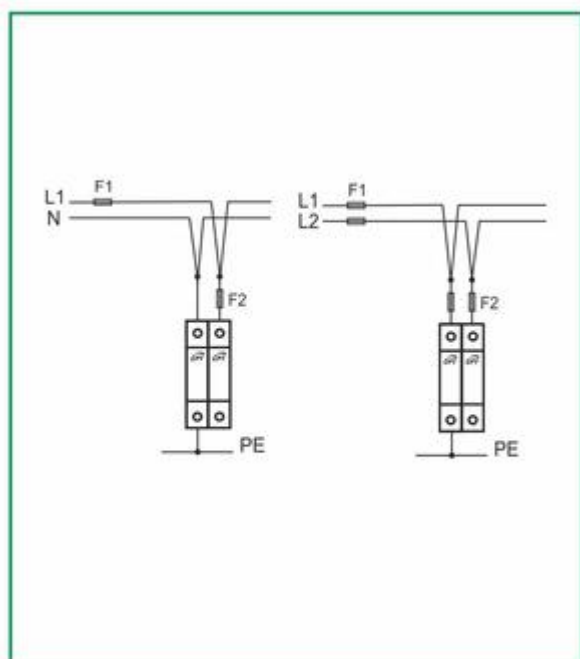
Dimensions



Internal configuration



Wiring diagram



Address



Barcelona

Cirprotec, S.L.

C/ Lepanto, 49
08223 - Terrassa (Barcelona)
Tel. +34 937 331 684
Fax. +34 93 733 27 64
www.cirprotec.com

Copyright © Cirprotec, S.L.

Legal Notice