

NSS-10/230-C12-P

77705868



[Link to the product page](#)

SPD Surge protection device, Type 2+3 / Class II+III, 2 poles, (L1-L2-GND), 10 kA (8/20), 230 / 400 V, aerial.

Technical Data	Value	Units
Commercial data		
Code	77705868	
Part Number	NSS-10/230-C12-P	
Status	Available	
EAN	8435297853534	
Tariff code (HS)	8536.30.90	
Packaging height	352	[mm]
Packaging width	17	[mm]
Packaging length	45	[mm]
Packaging weight	79	[gr]
Technical features		
No. poles	2	
Installation	(L1-L2-GND)	
Format	Aerial	
Network configuration	TT, TN, IT	
Product standards	IEC 61643-11; EN 61643-11; IEE/ANSI C62.41.2	
Certifications	CE; RoHs; CB scheme	
Designation according to EN 61643-11	Type 2+3	
Designation according to IEC 61643-11	Clase II+III	ES
Location category as per IEE/ANSI C62.41.2	C-High 10 kV / 10 kA	
Supply voltage	230 / 400 [V]	

Nominal voltage AC 50-60 Hz (L-N)	Un (L-N)	230	[V]
Load current AC 50-60 Hz	IL	10	[A]
Maximum continuous operating voltage (L1-L2)	Uc (L1-L2)	320	[V]
Maximum continuous operating voltage (L1/L2-GND)	Uc (L1/L2-GND)	420	[V]
Maximum discharge current (8/20) (L1-L2)	I _{max} (L1-L2)	10	[kA]
Nominal discharge current (8/20) (L1-L2)	I _n (L1-L2)	5	[kA]
Voltage protection level (L1-L2) at I _n	U _p (L1-L2)	1,5	[kV]
Voltage protection level (L1-L2-GND) at I _n	U _p (L1/L2-GND)	1,8	[kV]
Maximum back-up fuse		32	A [gL]
Combined discharge voltage (1,2/50)	U _{oc}	10	[kV]
Short circuit withstand	I _{cc}	10	[kA]
Response time (L1-L2)	t _A (L1-L2)	25	[ns]
Response time (L1/L2-GND)	t _A (L1/L2-GND)	100	[ns]
Luminaries insulation classification		Class I & Class II	
Connection		Series / Parallel	
Remote indication		No	
Visual end of life indication		Visual LED + disconnection	
Residual current	I _{GND}	<0,01	[mA]
Dynamic thermal disconnection (L1/L2-GND)		Yes	
Insulating material & flammability class		PA66 CT1; V-0	
Housing color		Grey RAL 7035	
Enclosure		IP 20	
Temperature range		-40 °C ... +80 °C	
Product height		52,5	[mm]
Product width		44,5	[mm]
Product length		20	[mm]
Product weight		67	[gr]

Wiring of connection circuit

Torque		0,7	[Nm]
Flexible bare wire		5	[mm]
Min. flexible cable section		1,5	[mm ²]
Max. flexible conductor section		2,5	[mm ²]

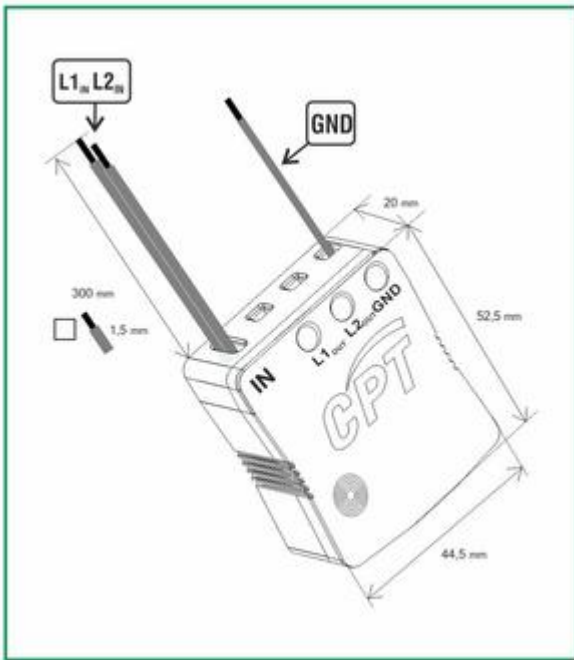
Specification data

Unspecified

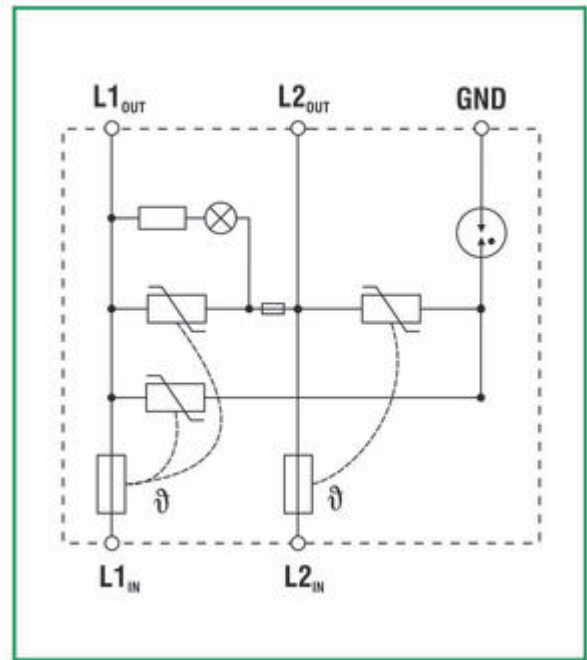
Wiring diagrams

Dimensions

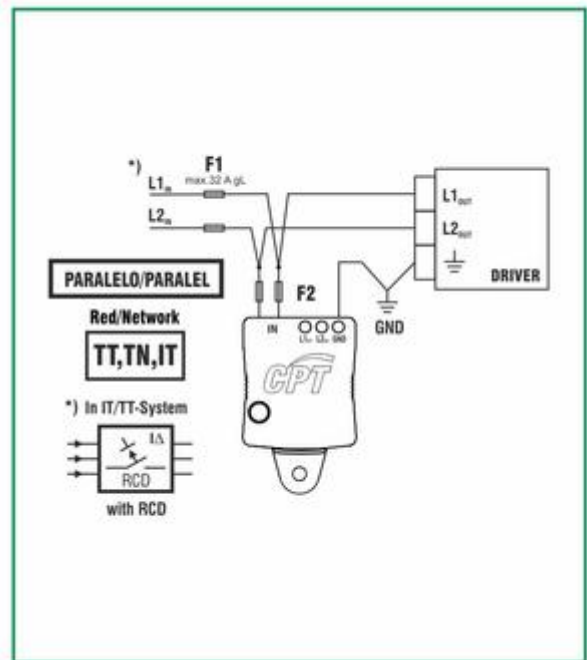
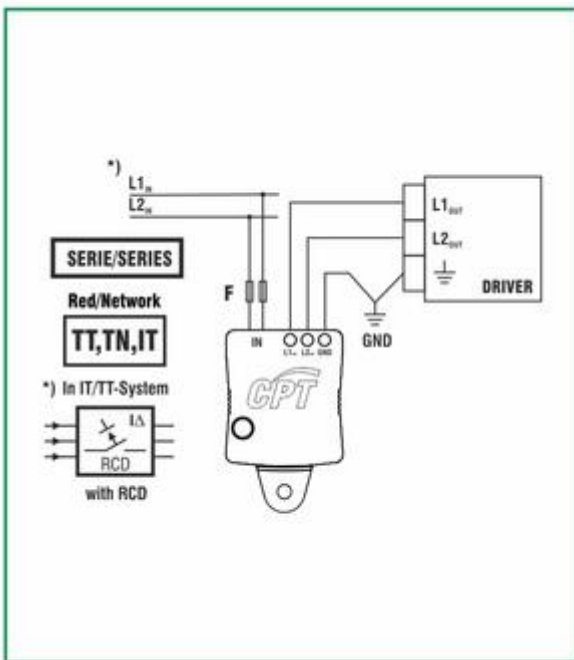
Internal configuration



Wiring diagram



Wiring diagram



Address



Barcelona

Cirprotec, S.L.
 C/ Lepanto, 49
 08223 - Terrassa (Barcelona)

Tel. +34 937 331 684
Fax. +34 93 733 27 64
www.cirprotec.com

Copyright © Cirprotec, S.L.

Legal Notice