

CS4P-40/400

77705458



Scan this QR code and see the full range



[Link to the product page](#)

SPD Surge protection device, Type 2 / Class II, 4 poles (4P), (L1-L2-L3-N-PE), 40 kA (8/20), 230 / 400 V, TNS earthing system, 4 modules, monobloc.

Technical Data

Value | Units

Commercial data

Code	77705458
Part Number	CS4P-40/400
Status	Available
EAN	8435297808817
Tariff code (HS)	8536.30.90
Packaging height	80 [mm]
Packaging width	80 [mm]
Packaging length	105 [mm]
Packaging weight	319 [gr]
Packaging unit	1

Technical features

Internal configuration	4P
No. poles	4
No. DIN rail modules	4
Installation	(L1-L2-L3-N-PE)
Format	Monobloc
Network configuration	TT, TNS
Product standards	IEC 61643-1; EN 61643-11
Certifications	CE

Designation according to EN 61643-11		Type 2	
Designation according to IEC 61643-1		Class II	
Supply voltage		230 / 400 [V]	
Nominal voltage AC 50-60 Hz (L-N)	Un (L-N)	230	[V]
Nominal voltage AC 50-60 Hz (L-L)	Un (L-L)	400	[V]
Maximum continuous operating voltage (L-PE)	Uc (L-PE)	275	[V]
Maximum continuous operating voltage (N-PE)	Uc (N-PE)	440	[V]
Maximum discharge current (8/20) (L-N)	I _{max} (L-N)	40	[kA]
Maximum discharge current (8/20) (L-PE)	I _{max} (L-PE)	40	[kA]
Nominal discharge current (8/20) (L-PE)	I _n (L-PE)	15	[kA]
Voltage protection level (L-PE) at I _n	U _p (L-PE)	1,3	[kV]
Voltage protection level (N-PE) at I _n	U _p (N-PE)	1,3	[kV]
Maximum back-up fuse		80	A [gL]
Short circuit withstand	I _{cc}	25	[kA]
Response time (L-PE)	t _A (L-PE)	25	[ns]
Remote indication		No	
Visual end of life indication		Yes	
Insulating material & flammability class		PC+GF; UL 94 V-0	
Housing color		Grey RAL 7035	
Enclosure		IP 20	
Temperature range		-40 °C ... +80 °C	
Product height		90	[mm]
Product width		72	[mm]
Product length		69	[mm]
Product weight		292	[gr]

Wiring of connection circuit

Torque		4	[Nm]
Rigid flexible wire		10	[mm]
Min. rigid conductor section		6	[mm ²]
Max. rigid conductor section		35	[mm ²]
Flexible bare wire		10	[mm]
Min. flexible cable section		6	[mm ²]
Max. flexible conductor section		25	[mm ²]

More information

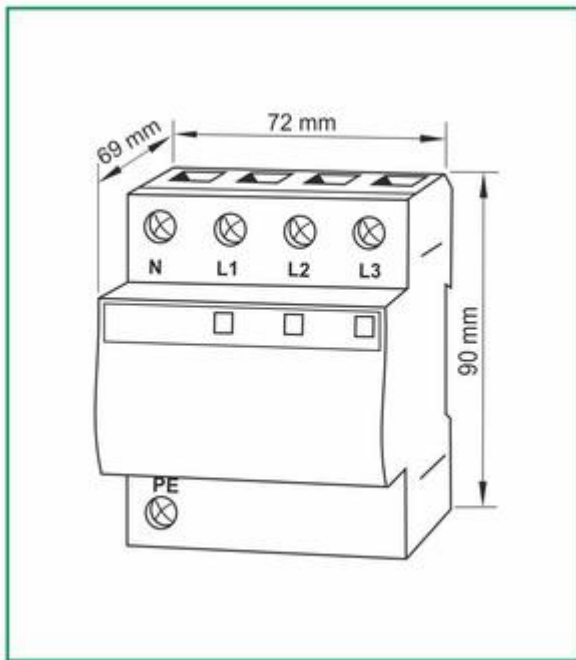
More about the product range on page...		25	
... of this catalogue	CPT-Cirprotec-V-OVERVOLTAGE-AND-SURGE-PROTECTION [MB]		4.05

Specification data

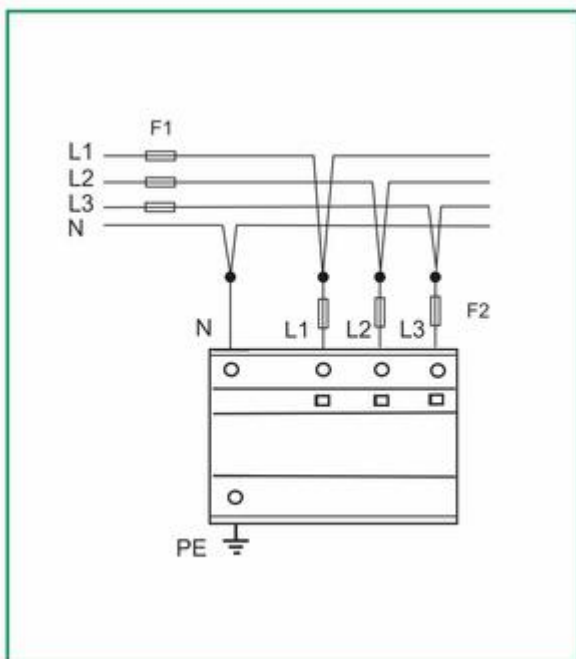
Unspecified

Wiring diagrams

Dimensions



Wiring diagram



Address



Barcelona

Cirprotec, S.L.

C/ Lepanto, 49
08223 - Terrassa (Barcelona)
Tel. +34 937 331 684
Fax. +34 93 733 27 64
www.cirprotec.com

Copyright © Cirprotec, S.L.

Legal Notice