

# CSF21-230

77704115



**Combined SPD, Type 2+3 / Class II+III, 2 poles, 20 kA (8/20), 10 kV (Uoc), 230 Vac, 1 module.**

[Link to the product page](#)

Technical Data	Value	Units
<b>Commercial data</b>		
Code	77704115	
Part Number	CSF21-230	
Status	Available	
EAN	8435297849636	
Tariff code (HS)	8536.30.90	
<b>Dimensions</b>		
Product height	85	[mm]
Product width	18	[mm]
Product length	65	[mm]
Product weight	50	[gr]
<b>General data</b>		
Internal configuration	2P	
No. poles	2	
No. DIN rail modules	1	
Installation	(L1-L2-PE)	
Format	DIN	
Certifications	CE; RoHs	
Designation according to EN 61643-11	Type 2+3	
Designation according to IEC 61643-11	Class II+III	
Insulating material & flammability class	PC+FG; V-0	
Enclosure	IP 20	
Temperature range	-40 °C ... +80 °C	
<b>Technical features</b>		
Supply voltage	230 [Vac]	

Nominal voltage AC 50-60 Hz (L1-L2)	Un (L1-L2)	<b>230</b>	[Vac]
Maximum continuous operating voltage (L1-L2)	Uc (L1-L2)	<b>275</b>	[Vac]
Maximum continuous operating voltage (L1-L2)	Uc (L1-L2)	<b>365</b>	[Vdc]
Maximum discharge current (8/20) (L1-L2)	I <sub>max</sub> (L1-L2)	<b>20</b>	[kA]
Nominal discharge current (8/20) (L1-L2)	I <sub>n</sub> (L1-L2)	<b>10</b>	[kA]
Nominal discharge current (8/20)	I <sub>n</sub>	<b>10</b>	[kA]
Voltage protection level (L1-L2) at I <sub>n</sub>	U <sub>p</sub> (L1-L2)	<b>1,4</b>	[kV]
Voltage protection level (L1/L2-PE) at I <sub>n</sub>	U <sub>p</sub> (L1/L2-PE)	<b>1,4</b>	[kV]
Maximum back-up fuse		<b>63</b>	A [gG]
Combined discharge voltage (1,2/50)	U <sub>oc</sub>	<b>10</b>	[kV]
Short circuit withstand	I <sub>sc</sub>	<b>10</b>	[kA]
Response time (L1-L2)	t <sub>A</sub> (L1-L2)	<b>25</b>	[ns]
Response time (L1/L2-PE)	t <sub>A</sub> (L1/L2-PE)	<b>100</b>	[ns]
Remote indication		<b>No</b>	
Visual end of life indication		<b>Yes</b>	
Dynamic thermal disconnection (L1/L2-PE)		<b>Yes</b>	

Certifications

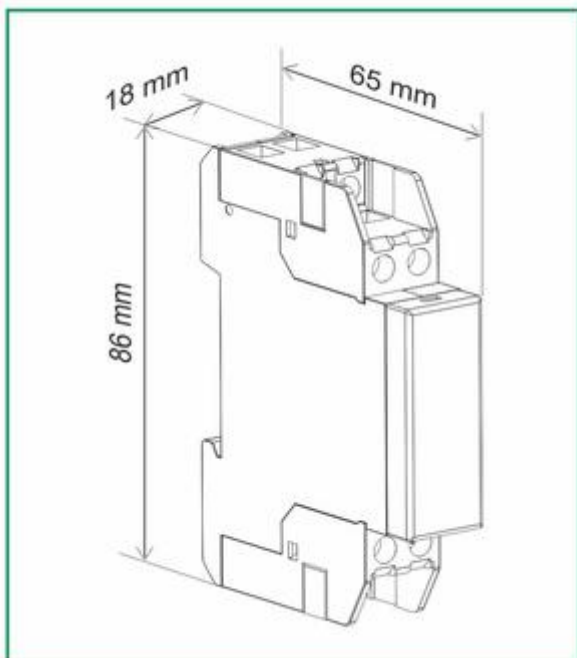
Value | Units

Certifications

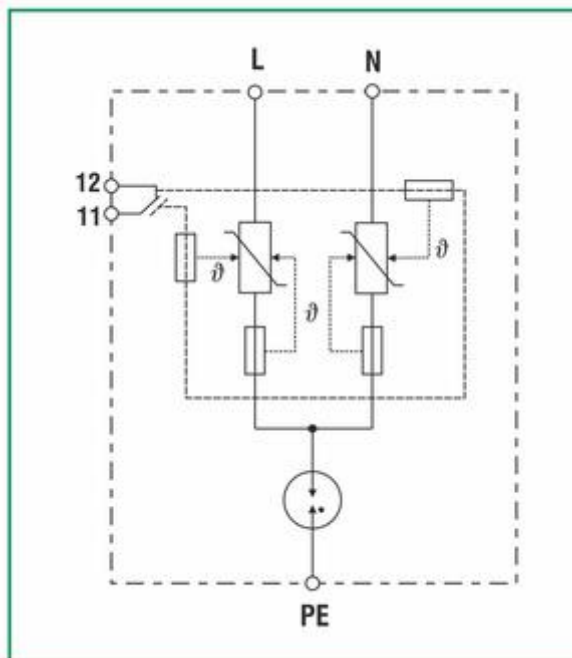
CE; RoHs

Wiring diagrams

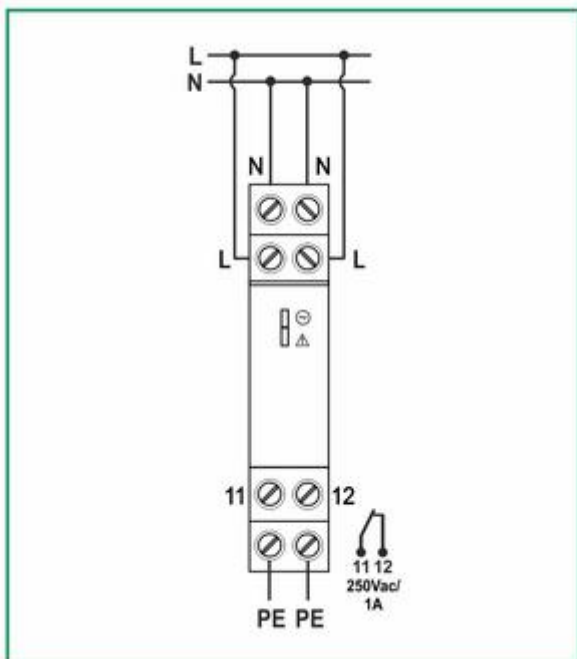
Dimensions



Internal configuration



Wiring diagram



## Downloads

Data sheet

[CPT-FT-PROTECCION-CONTRA-SOBRETENSIONES-CSF21.pdf](#)

## Address



### Barcelona

**Cirprotec, S.L.U.**

C/ Lepanto, 49

08223 - Terrassa (Barcelona)

Tel. +34 937 331 684

Fax. +34 93 733 27 64

[www.cirprotec.com](http://www.cirprotec.com)

Copyright © Cirprotec, S.L.

[Legal Notice](#)