

What is All Mode Protection?

All Mode Protection Range:

Are you Really Protected?

It's a common misconception that surge protection equipment offer adequate protection.

We are now promoting our newly available range of lightning & surge devices which are wired to give all mode protection through a combination of both differential and common mode so all internal lines are protected in one system.

Common Mode:

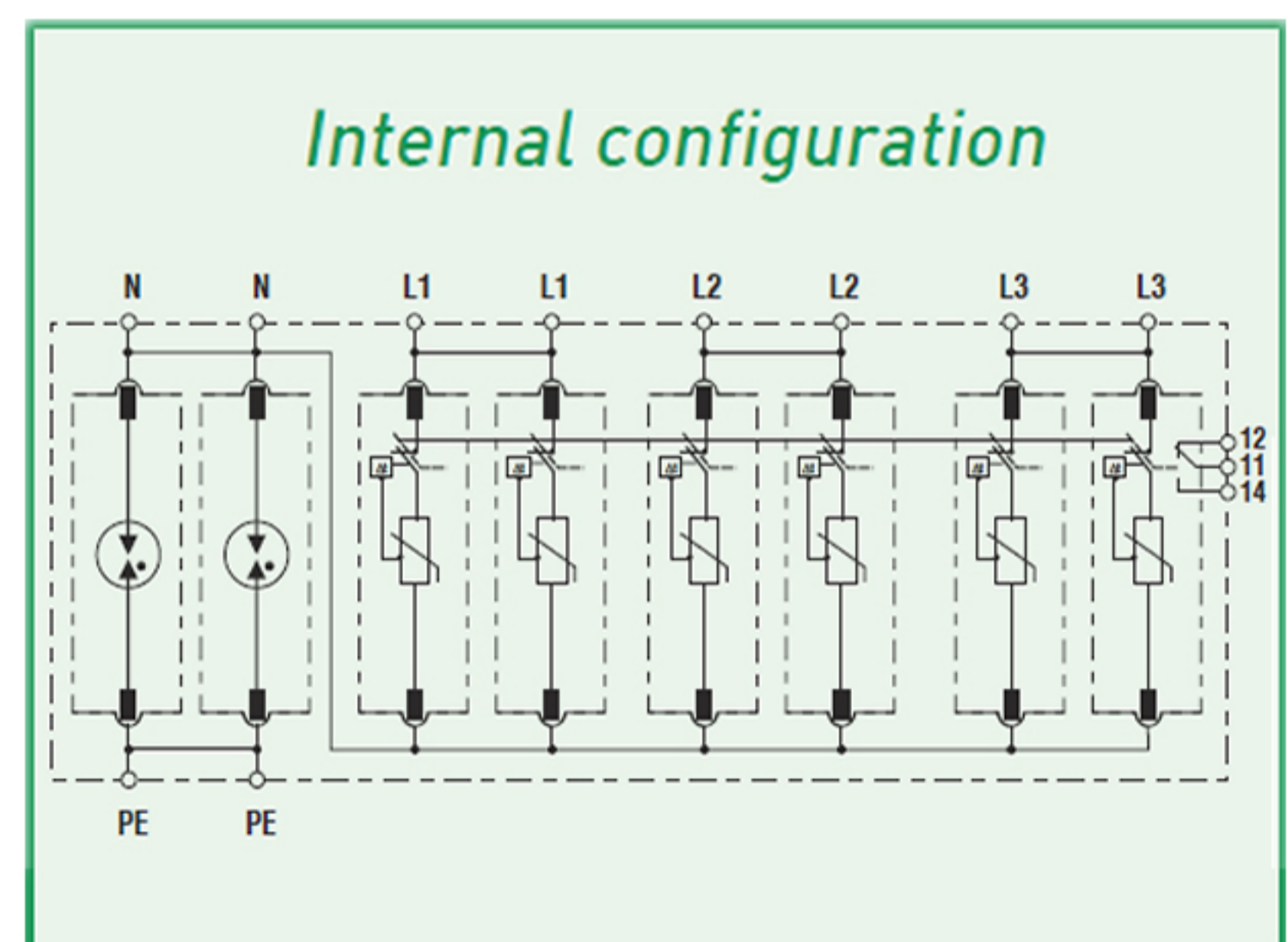
In the common mode protection format, the system will eliminate overvoltage which has been detected passing the line either between phase and neutral or phase and earth depending on the type of common mode system. In the event of overvoltage which can be created by a direct lightning strike or a surge event exceeding the operating threshold, the SPD will expel this overvoltage by conducting this energy down to earth.

Differential Mode

In differential mode protection format the system will only eliminate the overvoltage which has been detected passing through the line or phase to neutral. This system works in a different way to common modes system and will expel any overvoltage's which exceed the operating threshold by distributing the energy to the other live conductors.

All Mode Protection Devices:

Our newly available range has ALL mode protection. These devices are internally wired up into a (TT) earthing system format which allows the differential mode "phase to neutral" protection and the common mode "phase to earth" format to be combined into one device. This enables all of the lines in the unit to be fully protected and expel overvoltage's which may come into contact with the system. This allows for protection of even the most sensitive parts of the electrical devices. These units can be used in TNCS - TNS network topology.



This type of device offers a much higher level of protection due to this internal formatting and the addition of the differential mode rather than just the common mode found in most devices.

For information and technical advice contact us on:

0114 262 6121

www.first-power.co.uk

*Limited copies available email request to info@first-power.co.uk

