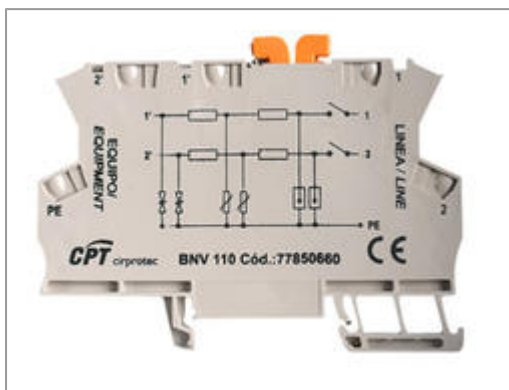


BNV 110

77850660



Scan this QR code and see the full range



[Link to the product page](#)

SPD Surge protection device, KNX bus, 2 wires, I/O terminal / terminal, DIN rail format, 5 kA (8/20), 110 V.

Technical Data

Value | Units

Commercial data

Code	77850660	
Part Number	BNV 110	
Status	Available	
EAN	8435297809913	
Tariff code (HS)	8536.30.90	

Dimensions

Packaging height	6	[mm]
Packaging width	70	[mm]
Packaging length	91	[mm]
Packaging weight	36	[gr]
Packaging unit	1	
Product height	91,6	[mm]
Product width	6	[mm]
Product length	63,2	[mm]
Product weight	34	[gr]

General data

No. DIN rail modules	0,33	
Format	DIN	
Certifications	CE	
Housing color	Beige	
Enclosure	IP 20	
Temperature range	-40 °C ... +85 °C	

Technical features

No. protected wires		2	
For protection of networks		Analog or digital signals	
Product standards		IEC 61643-21	
Nominal voltage AC 50-60 Hz (L1/L2-PE)	Un (L1/L2-PE)	110	[V]
Maximum continuous operating voltage (L1/L2-PE)	Uc (L1/L2-PE)	130	[V]
Maximum discharge current (8/20) (L1/L2-PE)	I _{max} (L1/L2-PE)	5	[kA]
Nominal discharge current (8/20) (L1/L2-PE)	I _n (L1/L2-PE)	5	[kA]
Voltage protection level (L1-L2-PE) at I _n	U _p (L1/L2-PE)	260	[V]
Bandwidth	fg	3	[MHz]
Input connector		Terminal	
Output connector		Terminal	
Nominal current AC 50-60 Hz	IN	0,3	[A]
Connection		Series	

Wiring of connection circuit

Max. flexible conductor section		2,5	[mm ²]
---------------------------------	--	------------	--------------------

Certifications

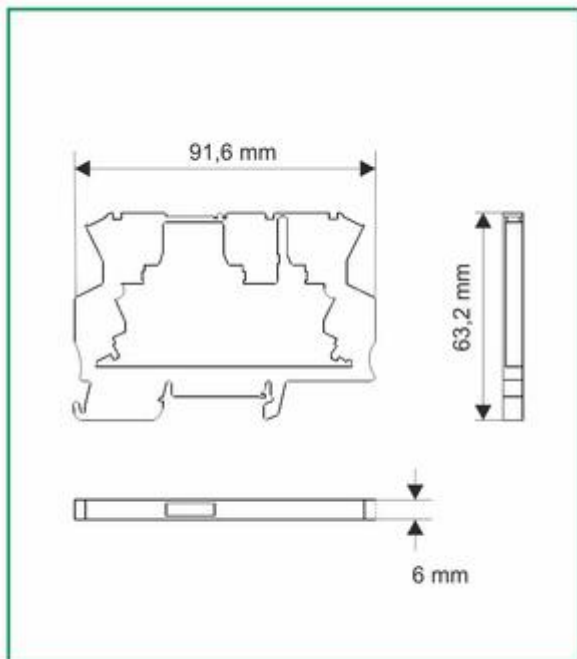
Value | Units

Certifications

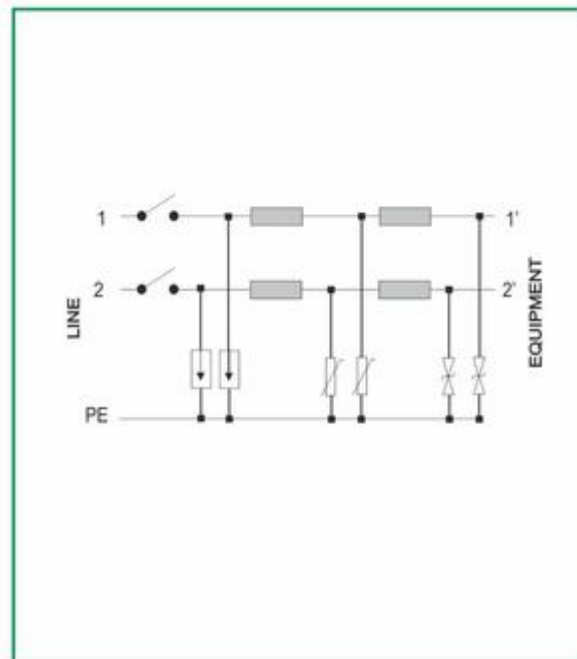
CE

Wiring diagrams

Dimensions



Internal configuration



Downloads

Data sheet [CPT-FT-PROTECCION-CONTRA-SOBRETENSIONES-BNV.pdf](#)

Address



FIRST POWER & SURGE PROTECTION, LTD

Tel. 0114 2626 121

www.firstpowerandsurgeprotection.com

Copyright © Cirprotec, S.L.

[Legal Notice](#)