

NETPRO CG-1P

77811930



Scan this QR code and see the full range



[Link to the product page](#)

SPD surge protector, Ethernet, Cat 6, 1 pole (socket) of 4x2 wires, I/O RJ45 (Male) UTP / RJ45 (Male) UTP, 5 V.

Technical Data	Value	Units
Commercial data		
Code	77811930	
Part Number	NETPRO CG-1P	
Status	Available	
EAN	8435297809814	
Tariff code (HS)	8536.30.90	
Packaging height	180	[mm]
Packaging width	146	[mm]
Packaging length	15	[mm]
Packaging weight	196	[gr]
Packaging unit	1	
Technical features		
Format	Aerial	
No. protected pairs	4	
For protection of networks	Cat 6	
Product standards	IEC 61643-21	
Certifications	CE	
Nominal voltage AC 50-60 Hz (L1/L2-PE)	Un (L1/L2-PE)	5 [V]
Maximum continuous operating voltage (L1/L2-PE)	Uc (L1/L2-PE)	6 [V]
Nominal discharge current (8/20) (L1/L2-PE)	In (L1/L2-PE)	0,25 [kA]
Voltage protection level (L1-L2-PE) at In	Up (L1/L2-PE)	35 [V]
Bandwidth	fg	250 [MHz]
Category	Cat. 6	
Input connector	RJ45 (Male) UTP	

Output connector		RJ45 (Male) UTP	
Nominal current AC 50-60 Hz	IN	0,1	[A]
Connection		Parallel	
Housing color		Grey RAL 7035	
Enclosure		IP 20	
Temperature range		-40 °C ... +60 °C	
Product height		78	[mm]
Product width		40	[mm]
Product weight		196	[gr]

More information

More about the product range on page...

40

... of this catalogue

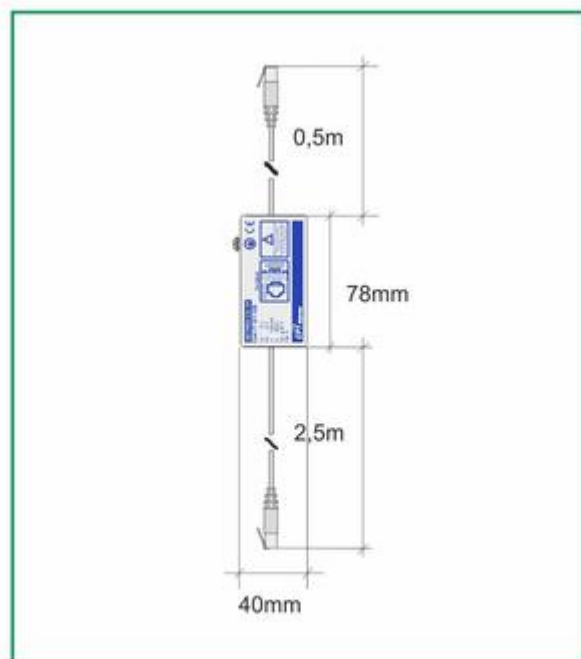
CPT-Cirprotec-V-OVERVOLTAGE-AND-SURGE-PROTECTION [4.05
MB]

Specification data

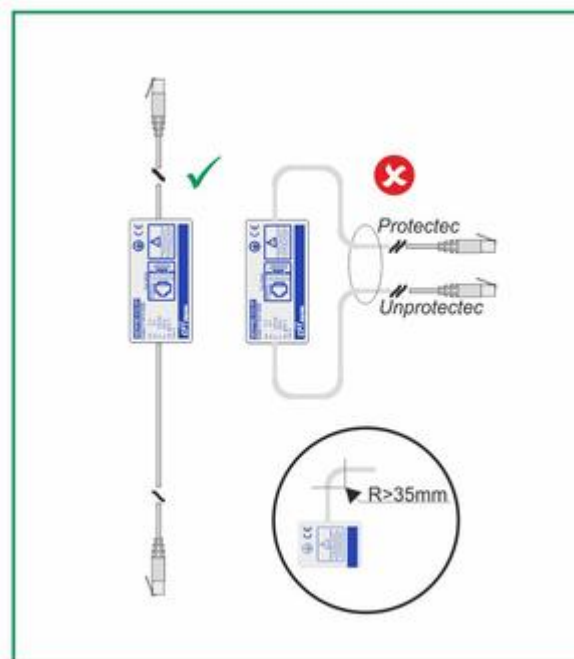
Unspecified

Wiring diagrams

Dimensions



Wiring diagram



Address

Barcelona

Cirprotec, S.L.

C/ Lepanto, 49

08223 - Terrassa (Barcelona)

Tel. +34 937 331 684

Fax. +34 93 733 27 64

www.cirprotec.com

Copyright © Cirprotec, S.L.

Legal Notice