

CT 10 N

77801650



Scan this QR code and see the full range



[Link to the product page](#)

SPD Surge protection device, Coaxial signals and CCTV, N (Male), 20 kA (8/20), 230 V.

Technical Data	Value	Units
Commercial data		
Code	77801650	
Part Number	CT 10 N	
Status	Available	
EAN	8435297809708	
Tariff code (HS)	8536.30.90	
Packaging height	30	[mm]
Packaging width	60	[mm]
Packaging length	75	[mm]
Packaging weight	140	[gr]
Packaging unit	1	
Technical features		
Format	Coaxial	
No. protected wires	1	
For protection of networks	Coaxial signals and CCTV	
Product standards	IEC 61643-21	
Certifications	CE	
Maximum continuous operating voltage (L1/L2-PE)	Uc (L1/L2-PE)	230 [V]
Maximum discharge current (8/20) (L1/L2-PE)	I _{max} (L1/L2-PE)	20 [kA]
Nominal discharge current (8/20) (L1/L2-PE)	I _n (L1/L2-PE)	10 [kA]
Voltage protection level (L1-L2-PE) at I _n	Up (L1/L2-PE)	600 [V]

Bandwidth	fg	3000	[MHz]
Maximum peak power		100	[W]
Impedance		50	[Ω]
Insertion loss		< 1	[dB]
Input connector		N (Male)	
Output connector		N (Female)	
Housing color		Silver	
Temperature range		-20 °C ... +85 °C	
Product height		71,2	[mm]
Product width		24	[mm]
Product weight		132	[gr]

More information

More about the product range on page...

42

... of this catalogue

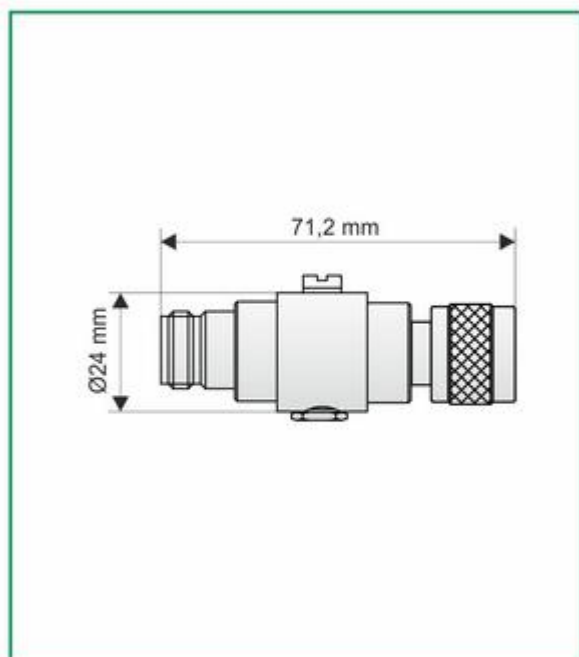
CPT-Cirprotec-V-OVERVOLTAGE-AND-SURGE-PROTECTION [4.05 MB]

Specification data

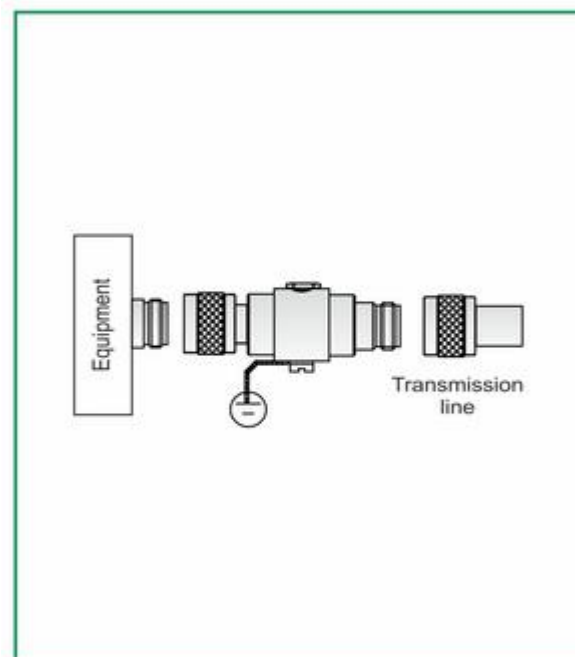
Unspecified

Wiring diagrams

Dimensions



Wiring diagram



Address



Barcelona

Cirprotec, S.L.

C/ Lepanto, 49

08223 - Terrassa (Barcelona)

Tel. +34 937 331 684

Fax. +34 93 733 27 64

www.cirprotec.com

Copyright © Cirprotec, S.L.

Legal Notice