

# PSM2-40/230 TT IR

77707757



**Surge Protection Device, Type 2, 2 poles, Single Phase, 40kA(8/20),230V TT, earthing system with Remote Indication**

Scan this QR code and see the full range



[Link to the product page](#)

Technical Data	Value	Units
<b>Commercial data</b>		
Code	77707757	
Part Number	PSM2-40/230 TT IR	
Status	Available	
EAN	8435297830016	
Tariff code (HS)	8536.30.90	
<b>Dimensions</b>		
Product height	90	[mm]
Product width	36	[mm]
Product length	70	[mm]
Product weight	215	[gr]
<b>General data</b>		
Internal configuration	1P+N	
No. poles	2	
No. DIN rail modules	2	
Installation	(L-N-PE)	
Format	Pluggable	
Network configuration	TT, TNS	
Certifications	CE; RCM; UL 1449	
Designation according to EN 61643-11	Type 2	
Designation according to IEC 61643-11	Class II	
Insulating material & flammability class	PA66 CT1; V-0	
Enclosure	IP 20	
Temperature range	-40 °C ... +85 °C	
<b>Technical features</b>		

		230 / 400 [V]	
Supply voltage			
Nominal voltage AC 50-60 Hz (L-N)	Un (L-N)	230	[V]
Nominal voltage AC 50-60 Hz (L-L)	Un (L-L)	400	[V]
Maximum continuous operating voltage (L-N)	Uc (L-N)	275	[V]
Maximum continuous operating voltage (N-PE)	Uc (N-PE)	265	[V]
Maximum discharge current (8/20) (L-N)	I <sub>max</sub> (L-N)	40	[kA]
Nominal discharge current (8/20) (L-N)	I <sub>n</sub> (L-N)	20	[kA]
Nominal discharge current (8/20)	I <sub>n</sub>	20	[kA]
Voltage protection level (L-N) at I <sub>n</sub>	U <sub>p</sub> (L-N)	1,3	[kV]
Voltage protection level (N-PE) at I <sub>n</sub>	U <sub>p</sub> (N-PE)	1,5	[kV]
Short circuit withstand	I <sub>sc</sub>	25	[kA]
Response time (L-N)	t <sub>A</sub> (L-N)	25	[ns]
Response time (N-PE)	t <sub>A</sub> (N-PE)	100	[ns]
Following current (N-PE)	I <sub>fi</sub>	100	[A]
Remote indication		Yes	
Visual end of life indication		Yes	
Dynamic thermal disconnection (L-N)		Yes	

### UL Technical features

		E360120	
File UL			
SPD UL Type		2CA	
Power distribution system		1	
Maximum continuous operating voltage (L-N)	MCOV (L-N)	275	[V]
Maximum continuous operating voltage (L-G)	MCOV (L-G)	275	[V]
Maximum continuous operating voltage (N-G)	MCOV (N-G)	277	[V]
Nominal discharge current (UL)	I <sub>n</sub>	20	[kA]
Voltage protection level (L-N) at I <sub>n</sub>	V <sub>PR</sub> (L-N)	900	[V]
Voltage protection level (L-G) at I <sub>n</sub>	V <sub>PR</sub> (L-G)	900	[V]
Voltage protection level (N-G) at I <sub>n</sub>	V <sub>PR</sub> (N-G)	700	[V]
Short circuit current rating	SCCR	85	[kA]

Certifications	Value	Units
Certifications	CE; RCM; UL 1449	

## Accessories



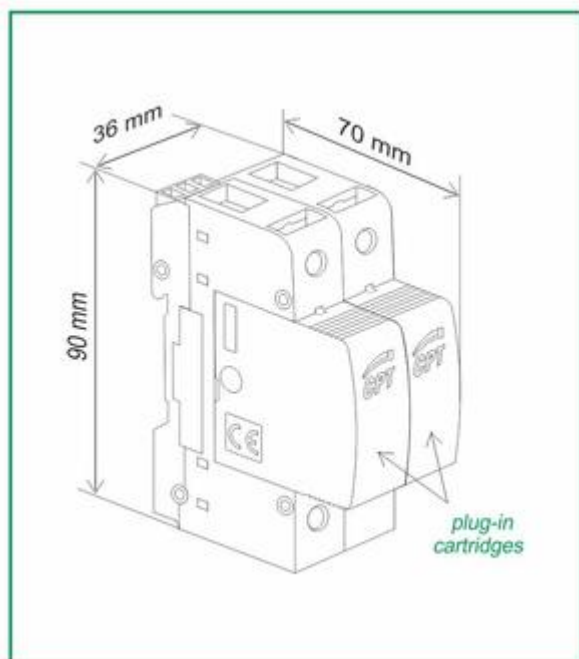
Código	77707654
Referencia	PSM-40/230
Description	<b>Replaceable module, Type 2, Ph, 40A(8/20), 230V</b>



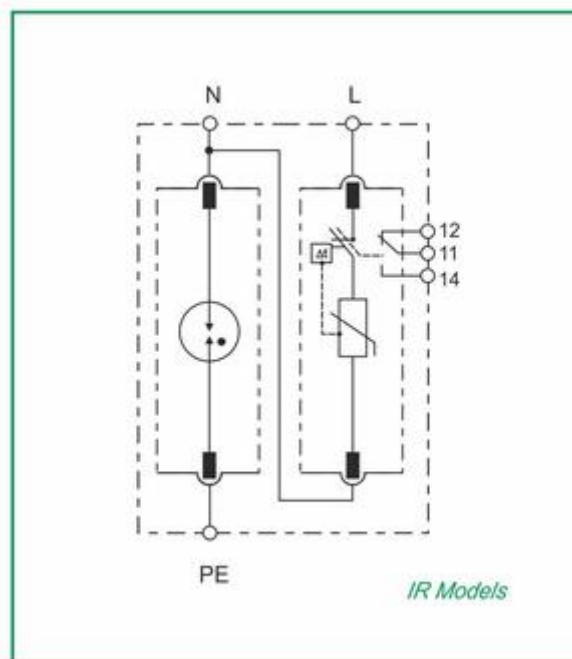
Código	77707664
Referencia	PSM-40N
Description	<b>Replaceable module, Type 2, N-PE, 40kA(8/20)</b>

## Wiring diagrams

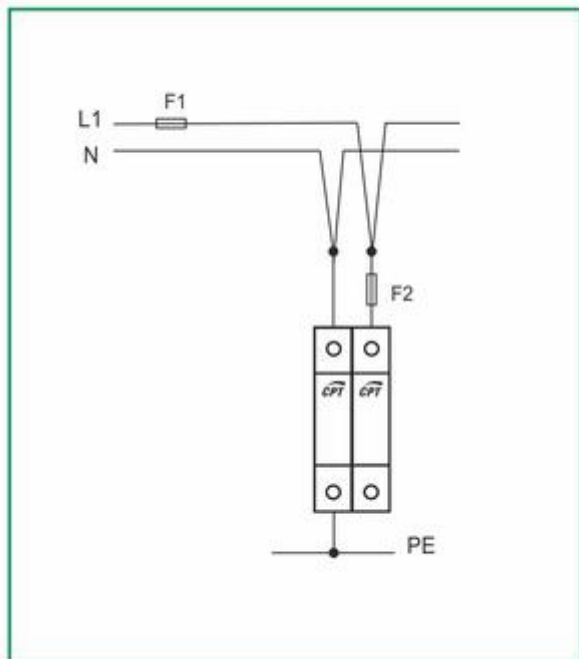
## Dimensions



## Internal configuration



Wiring diagram



Other images

PSM-POLARIZADOR



PSM-INDICADOR-REMOTA



PSM-CONEXION-BICONNECT



PSM-INDICADOR-ESTADO



PSM-SUSTITUCION-CARTUCHO



## Downloads

Install sheet	<a href="#">CPT-FAP-PROTECCION-CONTRA-SOBRETENSIONES-PSM2-40.pdf</a>
Wiring diagram (CAD)	<a href="#">CPT-CAD-PROTECCION-CONTRA-SOBRETENSIONES-PSM2-40-230-TT-IR-77707757.dwg</a>
Wiring diagram (PDF)	<a href="#">CPT-CIP-PROTECCION-CONTRA-SOBRETENSIONES-PSM2-40-230-TT-IR-77707757.pdf</a>

## Address



### Barcelona

#### **Cirprotec, S.L.U.**

C/ Lepanto, 49

08223 - Terrassa (Barcelona)

Tel. +34 937 331 684

Fax. +34 93 733 27 64

[www.cirprotec.com](http://www.cirprotec.com)

Copyright © Cirprotec, S.L.

[Legal Notice](#)