

# CSF21-48

77704105



**Combined SPD, Type 2+3 / Class II+III, 2 poles, 6 kA (8/20), 6 kV (Uoc), 48 Vac  
1 module.**

[Link to the product page](#)

Technical Data	Value	Units
<b>Commercial data</b>		
Code	77704105	
Part Number	CSF21-48	
Status	Available	
EAN	8435297851844	
Tariff code (HS)	8536.30.90	
<b>Dimensions</b>		
Packaging height	86	[mm]
Packaging width	18	[mm]
Packaging length	65	[mm]
Packaging weight	55	[gr]
Product height	85	[mm]
Product width	18	[mm]
Product length	65	[mm]
Product weight	50	[gr]
<b>General data</b>		
Internal configuration	2P	
No. poles	2	
No. DIN rail modules	1	
Installation	(L1-L2-PE)	
Format	DIN	
Certifications	CE; RoHs	
Designation according to EN 61643-11	Type 2+3	

Designation according to IEC 61643-11	<b>Class II+III</b>
Insulating material & flammability class	<b>PC+FG; V-0</b>
Housing color	<b>RAL 7035</b>
Enclosure	<b>IP 20</b>
Temperature range	<b>-40 °C... +80 °C</b>

### Technical features

Supply voltage		<b>48 [Vac]</b>	
Nominal voltage AC 50-60 Hz (L1-L2)	Un (L1-L2)	<b>48</b>	[Vac]
Maximum continuous operating voltage (L1-L2)	Uc (L1-L2)	<b>60</b>	[Vac]
Maximum continuous operating voltage (L1-L2)	Uc (L1-L2)	<b>77</b>	[Vdc]
Maximum discharge current (8/20) (L1-L2)	Imax (L1-L2)	<b>6</b>	[kA]
Nominal discharge current (8/20) (L1-L2)	In (L1-L2)	<b>3</b>	[kA]
Voltage protection level (L1-L2) at In	Up (L1-L2)	<b>0,33</b>	[kV]
Voltage protection level (L1/L2-PE) at In	Up (L1/L2-PE)	<b>0,7</b>	[kV]
Maximum back-up fuse		<b>63</b>	A [gL]
Combined discharge voltage (1,2/50)	Uoc	<b>6</b>	[kV]
Short circuit withstand	Iscrr	<b>10</b>	[kA]
Response time (L1-L2)	tA (L1-L2)	<b>25</b>	[ns]
Response time (L1/L2-PE)	tA (L1/L2-PE)	<b>100</b>	[ns]
Remote indication		<b>No</b>	
Visual end of life indication		<b>Yes</b>	
Dynamic thermal disconnection (L1/L2-PE)		<b>Yes</b>	

### Wiring of connection circuit

Torque		<b>0,7</b>	[Nm]
--------	--	------------	------

## Certifications

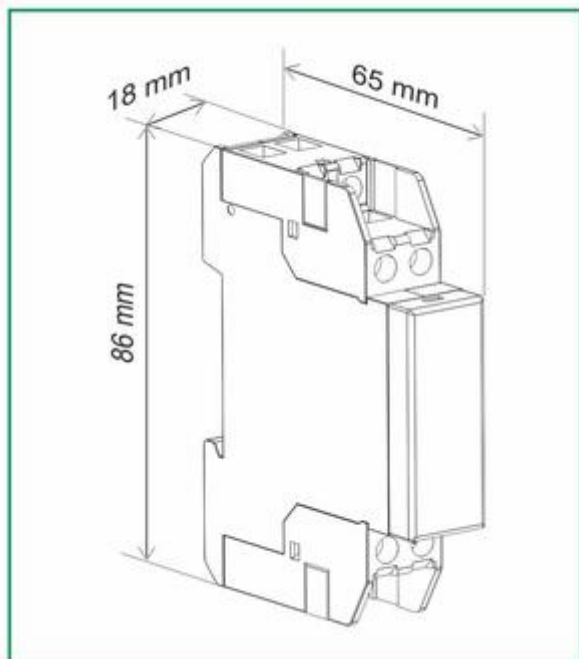
Value | Units

Certifications

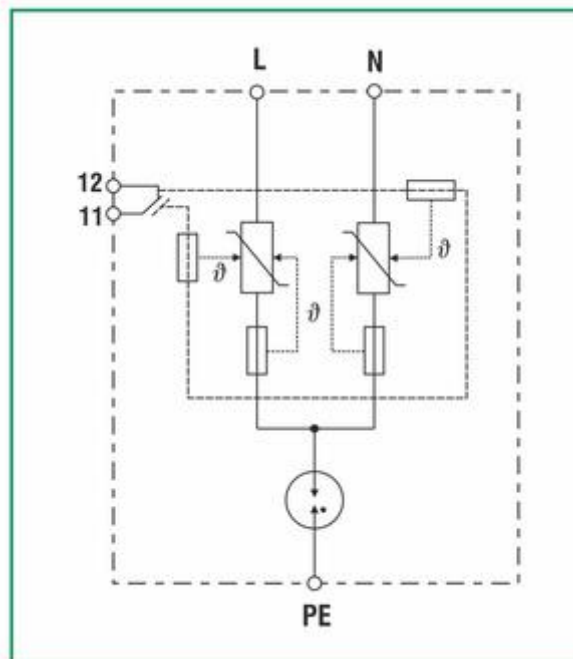
CE; RoHs

## Wiring diagrams

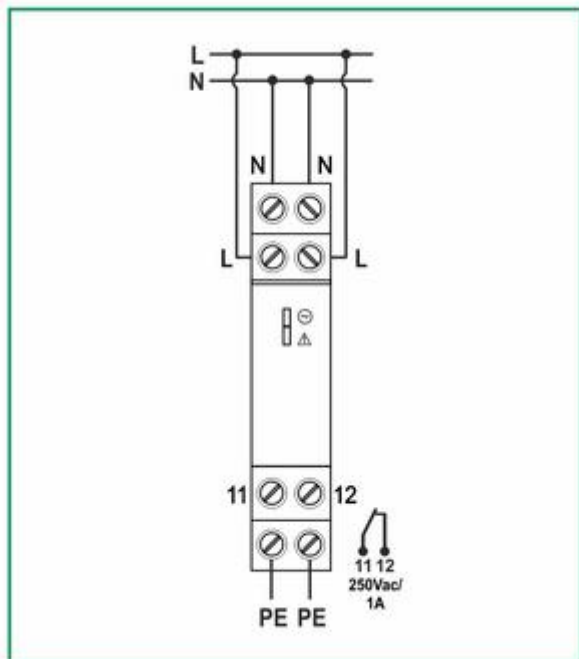
Dimensions



Internal configuration



Wiring diagram



## Downloads

Data sheet [CPT-FT-PROTECCION-CONTRA-SOBRETENSIONES-CSF21.pdf](#)

## Address



### Barcelona

**Cirprotec, S.L.**

C/ Lepanto, 49  
08223 - Terrassa (Barcelona)  
Tel. +34 937 331 684  
Fax. +34 93 733 27 64  
[www.cirprotec.com](http://www.cirprotec.com)

Copyright © Cirprotec, S.L.

[Legal Notice](#)