

All Mode - 7 Point Protection

10 year warranty



Lightning and surge protection

PSC4-25/400 TT IR

77738426

Surge Protection Device, Type 1+2, 3Ph+N, 25kA(10/350), 230V, TTearthing system, with Remote Indication



Applicable networks
TT TNS TNC TNCS

Scan this QR code and see
the full range



[Link to the product page](#)

Technical Data	Value	Units
Commercial data		
Code	77738426	
Part Number	PSC4-25/400 TT IR	
Status	Available	
EAN	8435297838715	
Tariff code (HS)	8536.30.90	
Dimensions		
Product height	90	[mm]
Product width	144	[mm]
Product length	76	[mm]
Product weight	1263	[gr]
General data		
Internal configuration	3P+N	
No. poles	4	
No. DIN rail modules	8	
Installation	(L1-L2-L3-N-PE)	
Format	Pluggable	
Network configuration	TT	
Certifications	CE	
Designation according to EN 61643-11	Type 1+2	
Designation according to IEC 61643-11	Class I+II	
Insulating material & flammability class	PA66 CT1; V-0	
Enclosure	IP 20	
Temperature range	-40 °C ... +80 °C	
Technical features		

Supply voltage		230 / 400 [V]	
Nominal voltage AC 50-60 Hz (L-N)	Un (L-N)	230	[V]
Nominal voltage AC 50-60 Hz (L-L)	Un (L-L)	400	[V]
Maximum continuous operating voltage (L-N)	Uc (L-N)	275	[V]
Maximum continuous operating voltage (N-PE)	Uc (N-PE)	255	[V]
Lightning impulse current (10/350) (L-N)	limp (L-N)	25	[kA]
Lightning impulse current (10/350) (N-PE)	limp (N-PE)	100	[kA]
Maximum discharge current (8/20) (L-N)	Imax (L-N)	100	[kA]
Maximum discharge current (8/20) (N-PE)	Imax (N-PE)	100	[kA]
Nominal discharge current (8/20) (L-N)	In (L-N)	25	[kA]
Nominal discharge current (8/20) (N-PE)	In (N-PE)	50	[kA]
Nominal discharge current (8/20)	In	25	[kA]
Voltage protection level (L-N) at In	Up (L-N)	1,5	[kV]
Voltage protection level (N-PE) at In	Up (N-PE)	1,5	[kV]
Maximum back-up fuse (See installation instructions)		315	[A gG]
Short circuit withstand	Isc cr	25	[kA]
Response time (L-N)	tA (L-N)	25	[ns]
Response time (N-PE)	tA (N-PE)	100	[ns]
Following current (N-PE)	Ifi	100	[A]
Remote indication		Yes	
Visual end of life indication		Yes	
Dynamic thermal disconnection (L-N)		Yes	

Specification data

PSC4-25/400 TT IR

3 Phases + Neutral (3+1), modular surge arrester
SPD Type 1+2 according to EN 61643-11
SPD Class I+II according to IEC 61643-1
High-capacity varistor technology
Base part with plug-in protection modules
Maximum continuous operating
Voltage, U_c (L-N / N-PE) : 275 V AC / 255 V AC
Voltage protection level, U_p (L-N / N-PE): ≤ 1.5 kV / ≤ 1.5 kV
Nominal discharge current (8/20), I_n (L-N / N-PE): 25 kA / 50kA
Maximum discharge current (8/20), I_{max} (L-N / N-PE): 100 kA / 100 kA
Impulsional discharge current (10/350), I_{imp} (L-N / N-PE): 25kA / 100kA
Short-circuit withstand capability, I_{sc} : 25 kArms
Following current, I_{fi} (L-N / N-PE): not applicable / 100A
Maximum back up fuse of 160A
End of life visual indication
Remote end-of-life monitoring
Dynamic thermal disconnection
Protection module with coding
Multifunctional terminals for connection of conductors and busbars
DIN rail mountable device acc. to EN 60715
Polariser safety system to avoid cartridge replacement errors
Reversible installation
Material PT66 CT1-V0
Width: 8 mod.
Delivery and installation
Manufacturer: Cirprotec
Type: **PSC4-25/400 TT IR**
Part No.: **77738426**
1 Piece(s).
or equal

Certifications	Value	Units
Certifications	CE	

Accessories



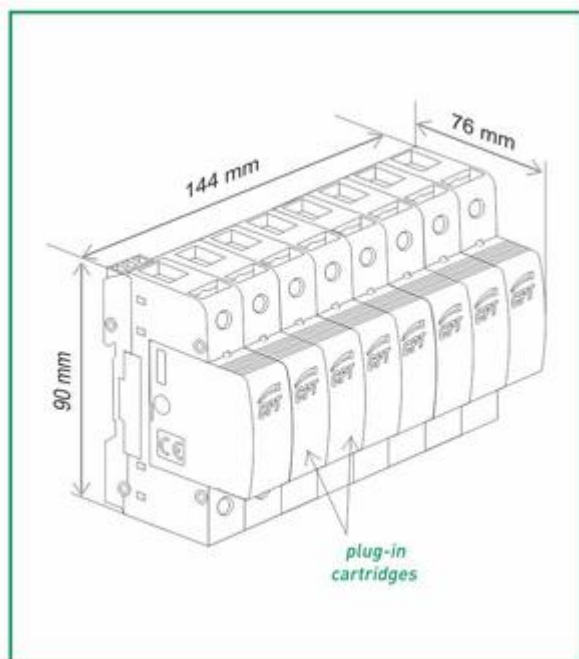
Código	77738611
Referencia	PSC-25/230
Description	Replaceable module, Type 1+2, Ph, 25kA(10/350), 230V



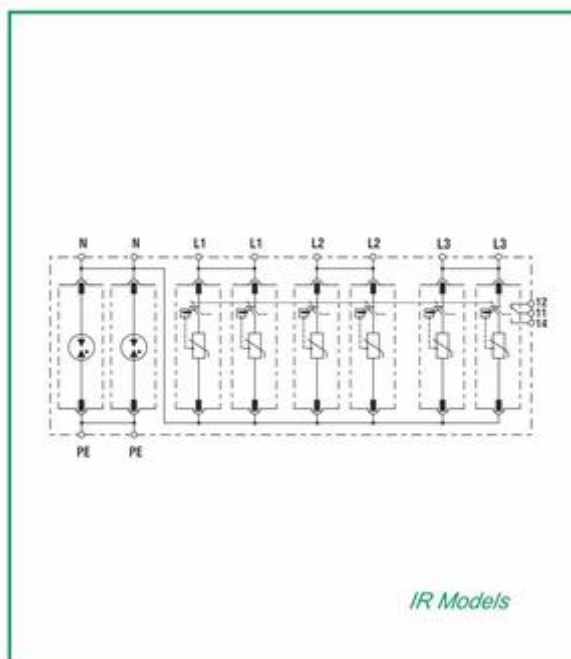
Código	77738619
Referencia	PSC-100N
Description	Replaceable module, Type 1+2, N-PE, 100kA(10/350)

Wiring diagrams

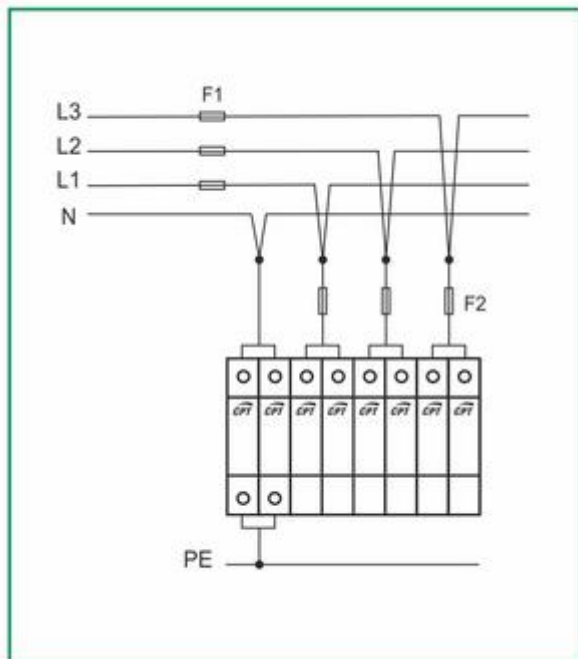
Dimensions



Internal configuration



Wiring diagram



Other images

PSM-POLARIZADOR



PSM-INDICADOR-REMOTA



PSM-CONEXION-BICONNECT



PSM-SUSTITUCION-CARTUCHO



Downloads

Install sheet	CPT-FAP-PROTECCION-CONTRA-SOBRETENSIONES-PSC4-25.pdf
Specification text	CPT-SPC-SURGE-PROTECTION-PSC4-25-400-TT-IR-77738426.txt

Address



Barcelona

Cirprotec, S.L.

C/ Lepanto, 49

08223 - Terrassa (Barcelona)

Tel. +34 937 331 684

Fax. +34 93 733 27 64

www.cirprotec.com

Copyright © Cirprotec, S.L.

[Legal Notice](#)