

# PSM2-40/230 TNS

77707906



Scan this QR code and see  
the full range



[Link to the product page](#)

**SPD Surge protection device, Type 2 / Class II, 2 poles (2P), (L-N-PE); (L1-L2-PE), 40 kA (8/20), 230 / 400 V, TNS earthing system, 2 modules, pluggable.**

## Technical Data

Value | Units

### Commercial data

|                  |                 |      |
|------------------|-----------------|------|
| Code             | 77707906        |      |
| Part Number      | PSM2-40/230 TNS |      |
| Status           | Available       |      |
| EAN              | 8435297830245   |      |
| Tariff code (HS) | 8536.30.90      |      |
| Packaging height | 80              | [mm] |
| Packaging width  | 45              | [mm] |
| Packaging length | 105             | [mm] |
| Packaging weight | 238             | [gr] |
| Packaging unit   | 1               |      |

### Technical features

|                        |                             |  |
|------------------------|-----------------------------|--|
| Internal configuration | 2P                          |  |
| No. poles              | 2                           |  |
| No. DIN rail modules   | 2                           |  |
| Installation           | (L-N-PE); (L1-L2-PE)        |  |
| Format                 | Pluggable                   |  |
| Network configuration  | TT, TNS                     |  |
| Product standards      | IEC 61643-1; EN<br>61643-11 |  |
| Certifications         | CE; RCM; ÖVE                |  |

|   |                         |                          |        |
|---|-------------------------|--------------------------|--------|
| Designation according to EN 61643-11              |                         | <b>Type 2</b>            |        |
| Designation according to IEC 61643-1              |                         | <b>Class II</b>          |        |
| Supply voltage                                    |                         | <b>230 / 400 [V]</b>     |        |
| Nominal voltage AC 50-60 Hz (L-N)                 | Un (L-N)                | <b>230</b>               | [V]    |
| Nominal voltage AC 50-60 Hz (L-L)                 | Un (L-L)                | <b>400</b>               | [V]    |
| Maximum continuous operating voltage (L-PE)       | Uc (L-PE)               | <b>275</b>               | [V]    |
| Maximum discharge current (8/20) (L-PE)           | I <sub>max</sub> (L-PE) | <b>40</b>                | [kA]   |
| Nominal discharge current (8/20) (L-PE)           | I <sub>n</sub> (L-PE)   | <b>20</b>                | [kA]   |
| Voltage protection level (L-PE) at I <sub>n</sub> | Up (L-PE)               | <b>1,3</b>               | [kV]   |
| Maximum back-up fuse                              |                         | <b>125</b>               | A [gL] |
| Short circuit withstand                           | I <sub>cc</sub>         | <b>25</b>                | [kA]   |
| Response time (L-PE)                              | t <sub>A</sub>          | <b>25</b>                | [ns]   |
| Remote indication                                 |                         | <b>No</b>                |        |
| Visual end of life indication                     |                         | <b>Yes</b>               |        |
| Dynamic thermal disconnection (L-PE)              |                         | <b>Yes</b>               |        |
| Insulating material & flammability class          |                         | <b>PA66 CT1; V-0</b>     |        |
| Base element color                                |                         | <b>Grey anthracite</b>   |        |
| Cartridge color                                   |                         | <b>Grey RAL 7035</b>     |        |
| Enclosure   |                         | <b>IP 20</b>             |        |
| Temperature range                                 |                         | <b>-40 °C ... +80 °C</b> |        |
| Product height                                    |                         | <b>90</b>                | [mm]   |
| Product width                                     |                         | <b>36</b>                | [mm]   |
| Product length                                    |                         | <b>70</b>                | [mm]   |
| Product weight                                    |                         | <b>221</b>               | [gr]   |

### Wiring of connection circuit

|                                 |  |           |                    |
|---------------------------------|--|-----------|--------------------|
| Torque                          |  | <b>4</b>  | [Nm]               |
| Rigid flexible wire             |  | <b>10</b> | [mm]               |
| Min. rigid conductor section    |  | <b>6</b>  | [mm <sup>2</sup> ] |
| Max. rigid conductor section    |  | <b>35</b> | [mm <sup>2</sup> ] |
| Flexible bare wire              |  | <b>10</b> | [mm]               |
| Min. flexible cable section     |  | <b>6</b>  | [mm <sup>2</sup> ] |
| Max. flexible conductor section |  | <b>25</b> | [mm <sup>2</sup> ] |

### More information

|   |  |           |  |
|---|--|-----------|--|
| More about the product range on page... |  | <b>23</b> |  |
|---|--|-----------|--|

... of this catalogue

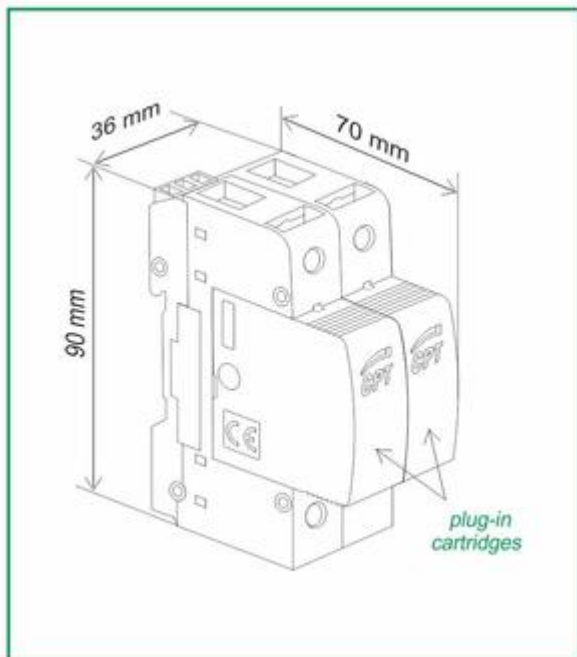
CPT-Cirprotec-V-OVERVOLTAGE-AND-SURGE-PROTECTION [ 4.05  
MB ]

Specification data

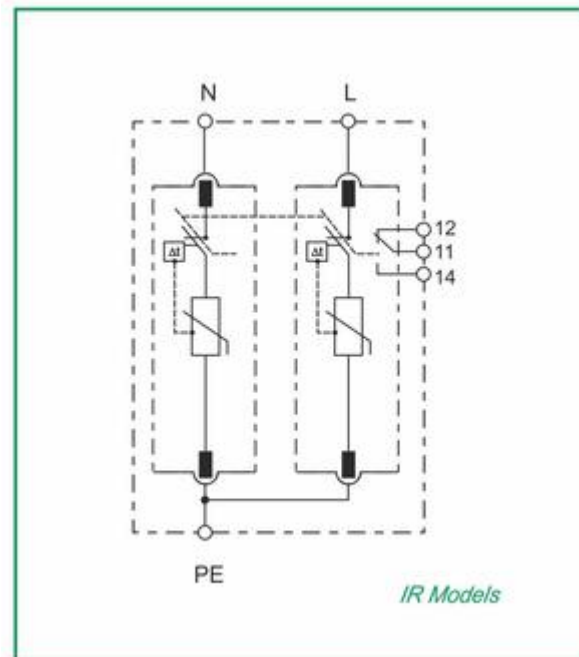
Unspecified

Wiring diagrams

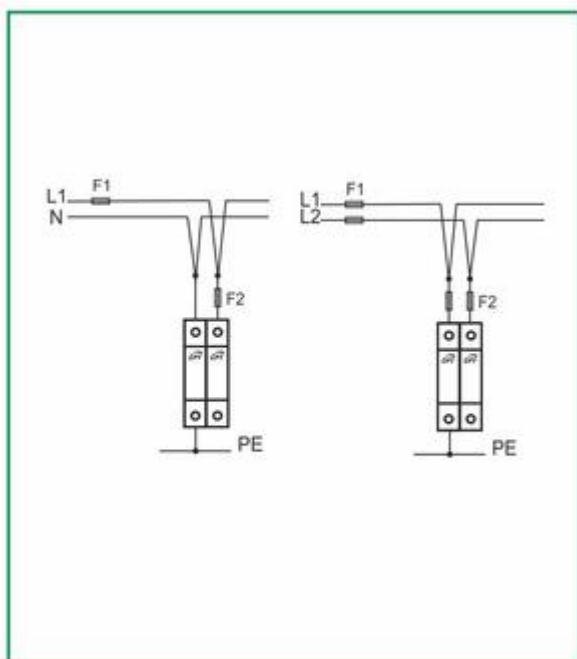
Dimensions



Internal configuration



Wiring diagram



Address



**Barcelona**

**Cirprotec, S.L.**  
C/ Lepanto, 49

08223 - Terrassa (Barcelona)

Tel. +34 937 331 684

Fax. +34 93 733 27 64

[www.cirprotec.com](http://www.cirprotec.com)

Copyright © Cirprotec, S.L.

Legal Notice