

PSM1-40/230

77707708



Scan this QR code and see the full range



[Link to the product page](#)

SPD Surge protection device, Type 2 / Class II, 1 pole (1P), (L-N), 40 kA (8/20), 230 / 400 V, 1 module, pluggable.

Technical Data	Value	Units
Commercial data		
Code	77707708	
Part Number	PSM1-40/230	
Status	Available	
EAN	8435297827238	
Tariff code (HS)	8536.30.90	
Packaging height	80	[mm]
Packaging width	23	[mm]
Packaging length	105	[mm]
Packaging weight	134	[gr]
Packaging unit	1	
Technical features		
Internal configuration	1P	
No. poles	1	
No. DIN rail modules	1	
Installation	(L-N)	
Format	Pluggable	
Network configuration	TT, TNS, TNC, IT	
Product standards	IEC 61643-1; EN 61643-11	
Certifications	CE; ÖVE	
Designation according to EN 61643-11	Type 2	

Designation according to IEC 61643-1		Class II	
Supply voltage		230 / 400 [V]	
Nominal voltage AC 50-60 Hz (L-N)	Un (L-N)	230	[V]
Maximum continuous operating voltage (L-N)	Uc (L-N)	275	[V]
Maximum discharge current (8/20) (L-N)	I _{max} (L-N)	40	[kA]
Nominal discharge current (8/20) (L-N)	I _n (L-N)	20	[kA]
Voltage protection level (L-N) at I _n	Up (L-N)	1,3	[kV]
Maximum back-up fuse		125	A [gL]
Short circuit withstand	I _{cc}	25	[kA]
Response time (L-N)	t _A (L-N)	25	[ns]
Remote indication		No	
Visual end of life indication		Yes	
Dynamic thermal disconnection (L-N)		Yes	
Insulating material & flammability class		PA66 CT1; V-0	
Base element color		Grey anthracite	
Cartridge color		Grey RAL 7035	
Enclosure		IP 20	
Temperature range		-40 °C ... +80 °C	
Product height		90	[mm]
Product width		18	[mm]
Product length		70	[mm]
Product weight		122	[gr]

Wiring of connection circuit

Torque		4	[Nm]
Rigid flexible wire		10	[mm]
Min. rigid conductor section		6	[mm ²]
Max. rigid conductor section		35	[mm ²]
Flexible bare wire		10	[mm]
Min. flexible cable section		6	[mm ²]
Max. flexible conductor section		25	[mm ²]

More information

More about the product range on page...		23	
... of this catalogue	CPT-Cirprotec-V-OVERVOLTAGE-AND-SURGE-PROTECTION [MB]		4.05

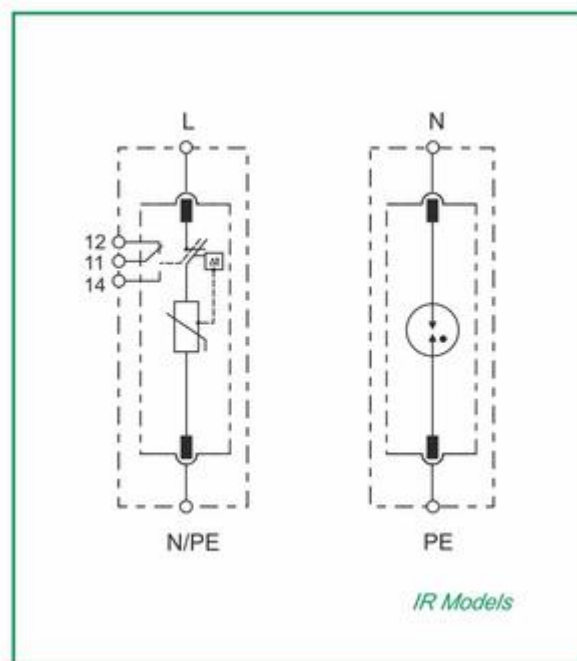
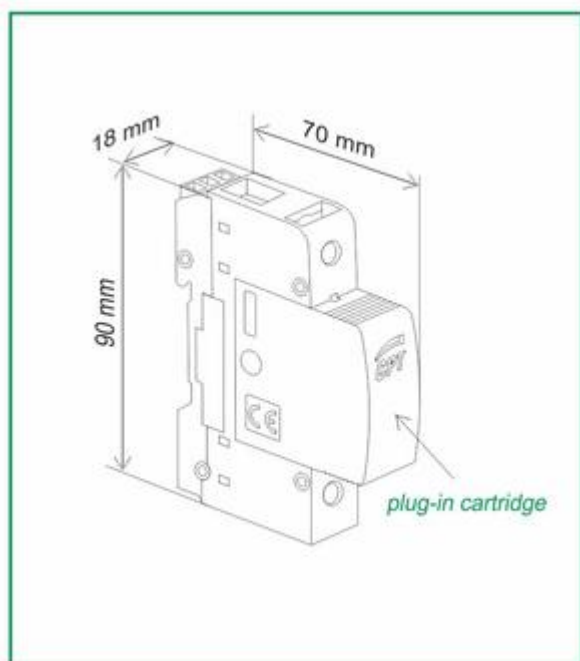
Specification data

Unspecified

Wiring diagrams

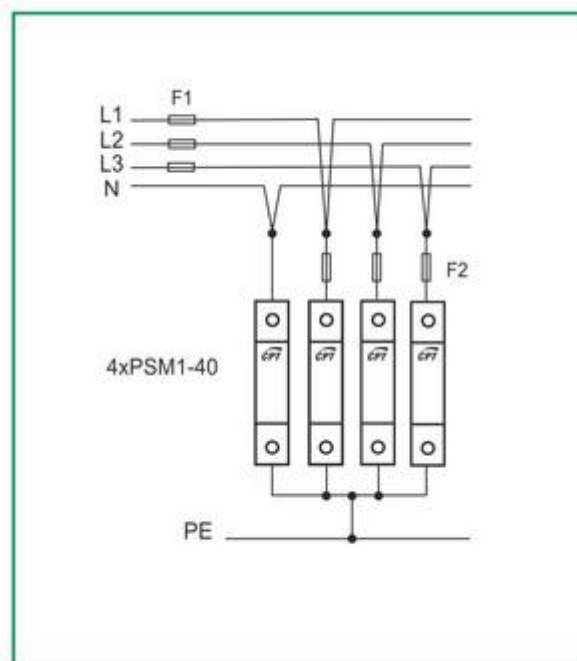
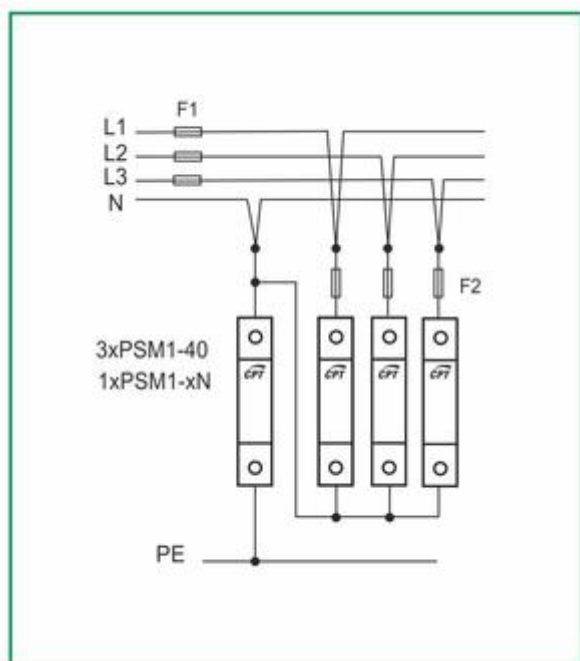
Dimensions

Internal configuration



Wiring diagram

Wiring diagram



Address



Barcelona

Cirprotec, S.L.

C/ Lepanto, 49

08223 - Terrassa (Barcelona)

Tel. +34 937 331 684

Fax. +34 93 733 27 64

www.cirprotec.com

Copyright © Cirprotec, S.L.

Legal Notice